

2 MP IR Bullet Camera License Plate Capture

Sensor Specifications

Model	CBI2H51FP	
Lens	10x/ 5.1mm ~ 51mm	
Angle of View	Wide	54° (H) ~ 30.3° (V) ~ 61.9°(D)
	Tele	4.9° (H) ~ 2.7° (V) ~ 5.5°(D)
Image Sensor	Type	1/2.8" SONY STARVIS™ CMOS Sensor
	Pixels	1945(H)x1097(V)
Min. Illumination	---	
Scanning Mode	Progressive Scan	
Wide Dynamic Range	---	
Day and Night Mode	---	
Noise Reduction	2DNR, 3DNR	
Digital Zoom	16x	
Exposure Control	Manual, Multi-Shutter, IRIS Priority	
White Balance Control	---	
Image Effect	Flip	
Flicker Free Mode	50Hz, 60Hz	
Shutter Speed	Manual	
IR Illuminator	Quantity	32 IR LEDs
	Distance	Up to 82ft

Network

Compression	H.264(Baseline, Main, High Profile), MJPEG
Bitrate Control	CBR, CVBR
Resolution	1920x1080, 1280x1024, 1280x720, 704x480, 640x360, 320x240
Frame Rate	Max. 60fps
Streaming	Triple Stream : H.264 x3, MJPEGx1
Protocol	TCP/IP, UDP, IPv4/v6, HTTP, HTTPS, QoS, FTP, UPnP, RTP, RTSP, RTCP, DHCP, ARP, Zeroconf, Bonjour
Client Software	Web, SmartManager, Client S/W, Mobile S/W
Max. User Connection	Live : 10 Users, Playback : 3 Users
Camera Protocol	Onvif S
Mobile Support	Android, iOS
Security	Multi User Authority, IP Filtering, HTTPS, SSL
Network Time Sync	NTP Server, Synchronized Computer, Manual
Software Reset	Restart, Reset, Factory Default
Remote Upgrade	Web Browsing(IE, Chrome, Safari, Firefox), SmartManager
Ethernet	RJ-45(10/100Base-T)
Micro SD Type	SDHC, SDXC,(Class 10,128GB Max)

System

Video Contents Analytics	Line Detection, Tampering, Motion Detection, Intrusion Detector
Motion Detection Area	16 Programmable Area(Include Area 8, Exclude Area 8)
Privacy Mask Zone	8 Programmable Zone
FTP Uploading	MJPEG
Event Notification	E-mail, FTP, Notification Server, XML Notification, Audio Alert
Audio Alert	User Defined 3 Audio File
Login Authority	Administrator, Operator, Guest
Event Buffering	Pre : 30sec, Post : 30sec
FTP SD Record	Pre : 10sec, Post : 60sec
Manual Trigger	4 Programmable Trigger
Composite Out	Yes / 3.5pi Stereo Jack
Audio Compression	G.711
Audio Streaming	2 Way
Audio	1 Input, 1 Output(Terminal Block)
Alarm	1 Input, 1 Output(Terminal Block)
Micro SD Recording Mode	Event, Continuous
Cable Harness	RJ-45, 12VDC, Alarm in/out, Audio in/out

General Information

Operating Humidity	0~90% RH(Non-Condensing)
Operating Temperature	-22°F ~ 122°F (-30°~+50°C)
Power Source	PoE(IEEE802.3at Compliance, Class4)/12VDC
Power Consumption	0.47A(22.6W)@PoEw/Heater ~ 1.6A(19.2W)@12VDCw/Heater
Dimension	3.87"(W) x 4.89"(H) x 9.73"(D) in
Net Weight	0.89lbs
Approvals	FCC, CE, KC
Ingress Protection	IP66

Specification are subject to change without notice.



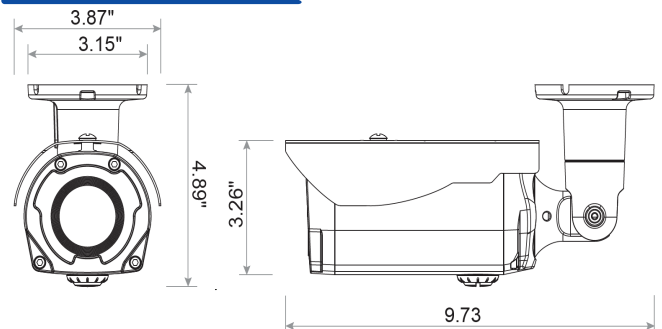
Features

- 2 Mega Pixel Resolution
- Smart Codec
- Intelligent Video Motion Detection, Intrusion Detector
- Quad Stream(H.264 MJPEG)
- Onvif Profile S
- Easy Install : Zero Configuration, Discovery, PoE
- Multi User Authority, IP Filtering, HTTPS, SSL
- Cross Web Browsing(IE, Safari, Firefox, Chrome)

Software

- SmartManager
- Central Point VMS
- Central Point Mobile Android™ iOS™

Dimensions



Mounts

CDMJBH10

