

# ConteralP® Bullet EX Megapixel Camera

5 Megapixel (MP) H.265/H.264 All-in-One Motorized P-Iris Lens True Day/Night Indoor/Outdoor Bullet-Style IP Camera with SNAPstream+™ (Smart Noise Adaptation and Processing), Enhanced WDR™ (Wide Dynamic Range), NightView™, Smart IR, and Video Analytics

H.265



The ConteralP® Bullet EX outdoor-ready megapixel camera features 5-megapixel (MP) resolution for optimum performance. The ConteralP Bullet EX combines a day/night mechanical IR cut filter with an integrated motorized 2.7–12mm varifocal remote focus and zoom precision iris (P-iris) lens. The ConteralP Bullet EX is ONVIF (Open Network Video Interface Forum) Profile S, G, Q, and T compliant, providing interoperability between network video products regardless of manufacturer.

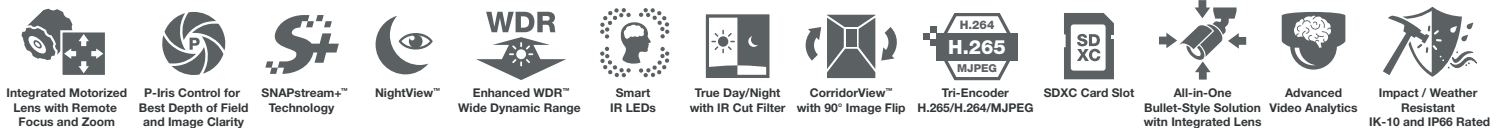
The inclusion of on camera video analytics gives the ConteralP Bullet EX the ability to increase situational awareness and gather data for business intelligence. Alarm conditions can be setup to alert security for observed behaviors. Several of the analytic behaviors can also be used for business intelligence data gathering, such as the loitering behavior for tracking dwell time in retail environments.

Regardless of the time of day, the ConteralP Bullet EX is prepared for any lighting condition. Enhanced WDR™ (wide dynamic range) at 120dB provides the best visual balance to shaded and bright light

conditions, NightView™ offers strong low-light sensitivity for capturing details in extremely poor-lit scenes, and built-in Smart IR LED illumination automatically adjusts output in response to the distance of an object in view to prevent over-exposure when the object is very close to the camera.

Arecont Vision® was the first to bring H.264 to the mainstream market and recently developed SNAPstream™ (Smart Noise Adaptation and Processing) technology for reducing bandwidth without impacting image quality. Today we are proud to offer our next generation H.265 with SNAPstream+™ smart codec capable of delivering high quality video while saving over 50% of the data rate to reduce or prevent strain on the network.

The microSD card slot supports up to 256GB of storage capacity for convenient onboard storage. The camera's power can be supplied via a Power-over-Ethernet (PoE - IEEE 802.3af) compliant network cable connection. The ConteralP Bullet EX is IP66 rated for both indoor and outdoor applications. All models feature an impact resistant cast-aluminum housing capable of withstanding the equivalent of 55 kg (120 lbs) of force.



## Series Features

- 5MP Resolution
- Advanced Video Analytics
- 2.7–12mm Integrated Lens
- SNAPstream+™ Capability to Reduce Bandwidth without Impacting Image Quality
- NightView™ for Strong Low Light Performance
- True Day/Night Functionality with Mechanical IR Cut Filter
- Enhanced WDR up to 120dB at Full Resolution: See Clearly in Shaded and Bright Light Conditions Simultaneously
- CorridorView™ Allows 90° Image Rotation for Better Coverage in Hallways and Corridors
- Privacy Mask, Motion Detection, Bit Rate Control, Multi-Streaming, Multicasting, Forensic Zooming, and Scaling
- On-Screen Display (OSD)
- Defog Technology
- Triple Encoder: H.265/H.264/MJPEG
- Network Protocols Include SNMP, HTTPS, IPv6, 802.1x, DHCP, and More
- All-in-One H.265/H.264 PoE Solution
- Smart IR Illumination with Variable Illumination Ensures that IR Light is Evenly Disbursed up to 100ft (30m) for Scenes with Low or No Ambient Light
- Audio In / Out
- MicroSDXC Card Slot for Onboard Storage
- Outdoor Rated IP66 and IK-10 Impact-Resistant Housing
- Easily Adjustable 3-Axis Wall Mount

Camera Imaging Specifications

<b>Model</b>		<b>AV5426PMIR-S</b>
<b>Image Sensor</b>		5MP CMOS Progressive Sensor
<b>Optical Format</b>		1/2.9"
<b>Minimum Illumination</b>	Color (Day Mode)	0.1 Lux
	B/W (Night Mode)	0.01 Lux
<b>Full FOV Resolution</b>		2592 H x 1944 V
<b>Scaling</b> (See Scaling Resolutions Below)		Yes
<b>IR Illumination</b>		Yes
<b>Dynamic Range</b>		120dB
<b>Frame Rates<sup>1</sup></b>	Single Stream	Up to 30fps (5MP) <sup>2</sup>
	Multi-Stream	Up to 15fps (5MP) <sup>2</sup> + 10fps (5MP) <sup>2</sup> Up to 30fps (1080p) <sup>2</sup> + 30fps (720p) <sup>2</sup> + 30fps (VGA) <sup>2</sup>
<b>Lens</b>	Fixed Iris	2.7-12mm, F1.3, H-FOV = 24°-81°, V-FOV = 18°-57°, P-Iris

Programmability

<b>Optics</b>	Remote focus/zoom, P-iris lens
<b>Low-Light Performance</b>	NightView™ technology
	Smart IR
<b>Programmable Shutter Speed</b>	Auto/manual 0.1ms ~ 500ms
<b>Motion Detection</b>	Real-time, 1024 detection zones
<b>Privacy Masking</b>	Unlimited
<b>Backlight Compensation</b>	Auto
<b>White Balance Mode</b>	Auto/manual
<b>Gain Control</b>	Auto
<b>Flicker Control<sup>1</sup></b>	5Hz-255Hz adjustable
<b>Image Rotation<sup>3</sup></b>	CorridorView™ (90°, 180°, and 270° image rotation) + mirror
<b>Scaling</b>	2592x1944, 2048x1536, 1920x1080, 1296x972, 1280x720, 640x480, 640x360, 320x240
<b>Wide Dynamic Range</b>	Adjustment between WDR and LDR modes
<b>Efficiency</b>	SNAPstream+™ (Smart Noise Adaptation and Processing)
	Bit rate and bandwidth limitation control
<b>Defog</b>	Supported
<b>Miscellaneous</b>	Programmable brightness, contrast, sharpness, saturation, hue
	Electronic pan, tilt, zoom (PTZ)
<b>Password</b>	16-digit ASCII character password
<b>On-Screen Display (OSD)</b>	Time/date/camera name/custom text
<b>Basic Video Analytics</b>	Motion Detection
	Camera Tamper
<b>Advanced Video Analytics<sup>4</sup></b>	Intrusion Detection
	Line Crossing
	Loitering
<b>Optional Advanced Video Analytics<sup>4</sup></b>	Object Classification (Person/Vehicle) <sup>5</sup>
	Object Left/Removed <sup>5</sup>
	People/Vehicle Counting <sup>5</sup>

- 30 frames per second (FPS) maximum with H.264 and H.265 compression at 60 hertz (Hz), up to 25fps maximum at 50Hz
- Max FPS with Enhanced WDR™ turned on will be up to 50% of listed FPS
- Limited to 180° rotation with video analytics enabled
- Analytics are not designed for heavy traffic locations such as roads and intersections
- Requires Optional Advanced Video Analytic License

Data Transmission

<b>Compression Type</b>	H.265/H.264 (MPEG-4, Part 10)/Motion JPEG
<b>Bit Rate Control</b>	64K-8000K
<b>Smart Codec</b>	Smart GOP/Smart ROI
<b>Transmission Protocols</b>	SNMP, HTTP, HTTPS, IPv6, IPv4, SSL, TCP/IP, UPnP, UDP, RTCP, RTSP, RTP, SMTP, NTP, DHCP, FTP, 802.1x, Zero Configure
	10/100Base-T Ethernet network interface, RJ45
<b>Multi-Streaming</b>	2 x H.265/H.264 stream, 1 x M-JPEG stream
<b>Users</b>	Live viewing/Administrator for up to 10 clients

Event Management

<b>Event Trigger</b>	Motion detection, video analytics, alarm in
<b>Notifications</b>	Send/record message via e-mail/FTP/NAS/SD card, record JPG/mp4

Compliance

<b>Industry Standard</b>	ONVIF Profile S, G, Q, T conformant
<b>Listings</b>	UL (CB) UL60950-1, E489591
<b>FCC Compliance</b>	47 CFR 15 Class A
<b>Environmental</b>	RoHS, REACH, WEEE
<b>Markings</b>	CE: EN55032 Class A, EN55024, EN61000-3-2, EN61000-3-3, EN60950
<b>Mechanical</b>	IK-10 (EN62262), IP66 (EN60529)

Environmental

<b>Operating Temperature</b>	-20°C (-4°F) to +50°C (122°F)
<b>Humidity</b>	0% to 90% (non-condensing)
<b>Storage Temperature</b>	-40°C (-40°F) to +60°C (140°F)

General Electrical

<b>Alarm Input/Output</b>	1 input (wet contact)/1 output (wet contact)	
<b>Power Over Ethernet</b>	PoE IEEE 802.3af, Class 3	
	Total PoE solution (no external power requirement)	
<b>Auxiliary Power</b>	12-48V DC, 24V AC	
<b>Power Consumption</b>	<b>1080p</b>	8.7W PoE max
	<b>5MP</b>	8.9W PoE max

## IR Illuminator

<b>LEDs</b>	48pcs, Smart IR
<b>Projection Distance</b>	100ft (30m) max

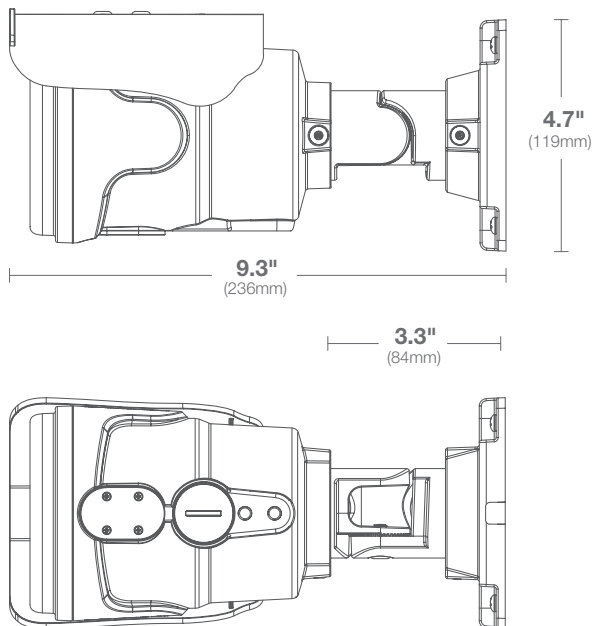
## Audio Electrical

<b>Streaming</b>	Two-way
<b>Compression</b>	G.711 PCM 8 kHz
<b>Input/Output</b>	Line in / Line output

## Mechanical

<b>Casing</b>	Die-cast aluminum cylindrical (bullet-style) housing	
	IP66 weather proof standard	
	Impact resistant, IK-10 rated	
<b>Mount</b>	Easily adjustable 3-axis with 360° pan, 90° tilt and 360° z-axis	
<b>Dimensions</b> <small>(See Dimensions)</small>	<b>Unit</b>	4.7" H (119mm) x 4.7" W (119mm) x 9.3" D (236mm)
	<b>Packaged</b>	5.6" H (142mm) x 5.6" W (142mm) x 11" L (280mm)
<b>Weight</b>	<b>Unit</b>	2.72lbs (1.23kg)
	<b>Packaged</b>	3.31lbs (1.5kg)
<b>On Board Storage</b>	MicroSDXC slot up to 256GB (card not included)	
<b>Body Color</b>	Arecont Vision® White (Pantone® Cool Gray 1C)	

## Dimensions



See Next Page for Ordering Information



### Model Numbers

<b>5MP</b>	AV5426PMIR-S	<b>WDR</b>
------------	--------------	------------

### Optional Advanced Video Analytic License

<b>AV-CADVVA1</b>	Enables Optional Advanced Video Analytic Behaviors on ConteraIP EX Cameras
-------------------	--

### Accessories

<b>AV-CRMA-W</b>	Corner Mount Adapter (Arecont Vision® White)
<b>AV-EBAS-W</b>	Square Electrical Box Adapter Plate (Arecont Vision® White)
<b>AV-JBA-W</b>	Standard Junction Box (Arecont Vision® White)
<b>AV-PMA-W</b>	Pole Mount Adapter (Arecont Vision® White)

### Configurations



Bullet

Create Your Model (Example: AV5426PMIR-S)

Megapixel Resolution	Generation	Body Type	Compression	Lens	Infrared	Onboard Storage
----------------------	------------	-----------	-------------	------	----------	-----------------

