

# AV3125/AV5125

3 or 5-Megapixel H.264 MegaView® PoE IP Camera

**Arecont Vision**  
megapixel technology...  
beyond imagination

**AV3125IRv1x** 3MP H.264 Day/Night w/IR Illuminator  
**AV3125DNv1x** 3MP H.264 Day/Night

**AV5125IRv1x** 5MP H.264 Day/Night w/IR Illuminator  
**AV5125DNv1x** 5MP H.264 Day/Night



The First 5MP IR Bullet Style  
Camera on the Market

The Fast Frame Rate at 3MP and  
5MP Resolution on the Market:  
21fps @ 3MP, 14fps @ 5MP

Class 3 PoE Powers Camera, IR LEDs  
and Fan (No Auxiliary Power Required)

#### Arecont Vision Advantages:

- All-in-One MegaView® IR Camera Solution
- IP66 and Vandal-Resistant Housing
- H.264 (MPEG-4, Part 10) Compression Standard
- External Lens Adjustment
- Easily Adjustable 3-Axis Bracket
- IR LED Configuration Exceeds the Market Standard
- Fastest MegaPixel Image Rates
- Superior Low-Light Performance
- PSIA and ONVIF Conformant
- Privacy Mask
- Extended Motion Detection Grid, 1024 Zones
- Flexible Cropping
- Bit Rate Control
- Multi-Streaming
- Forensic Zooming
- Binning Technique Improves Low-Light Performance
- True Day/Night Functionality with Removeable IR Cut Filter



Specification sheets subject to change without notice.

Made in the USA



## Model Numbers

<b>AV3125IRv1x</b>	3MP H.264 Day/Night w/IR Illuminator
<b>AV3125DNv1x</b>	3MP H.264 Day/Night
<b>AV5125IRv1x</b>	5MP H.264 Day/Night w/IR Illuminator
<b>AV5125DNv1x</b>	5MP H.264 Day/Night

## Imaging

- 3-megapixel effective CMOS image sensor (AV3125)
- 5-megapixel CMOS image sensor (AV5125)
- 1/2.5" optical format
- 2.2 µm pixel pitch
- Progressive Scan
- Minimum illumination of:
  - Color (non-binning): 0.3 Lux @ F1.6
  - Color (binning): 0.15 Lux @ F1.6
  - Day/Night: 0 Lux, IR sensitive
- Dynamic range 70.1 dB
- Maximum SNR 45 dB

## Full Field-of-View (FOV) Resolution

Mode Numbers	Full FOV Resolution	1/4 Resolution
<b>AV3125</b>	3MP 2048 (H) x 1536 (V)	1024 (H) x 768 (V)
<b>AV5125</b>	5MP 2592 (H) x 1944 (V)	1296 (H) x 972 (V)

## Cropped (FOV) Resolution

- Flexible Cropping
- 2560x1600 QWXGA (AV5125)
  - 2048x1536 3MP (AV5125)
  - 1920x1080 HDTV - 1080p
  - 1600x1200 2MP
  - 1280x1024 1.3MP

## Data Transmission

- Video frame rate up to:
  - 14fps @ 2592x1944 (AV5125 only)
  - 16.5fps @ 2560x1600 (AV5125 only)
  - 21fps @ 2048x1536
  - 31fps @ 1600x1200
  - 29fps @ 1920x1080
  - 41fps @ 1280x1024
- Video frame in binning mode:
  - 34fps @ 1286x972 (AV5125 only)
  - 41fps @ 1280x800 (AV5125 only)
  - 46fps @ 1024x768
  - 64fps @ 800x600
  - 64fps @ 860x540
  - 64fps @ 640x512
- Compression type
  - H.264 (MPEG-4, Part 10)
  - Motion JPEG
  - 21 levels of quality
- RTSP, RTP/TCP, RTP/UDP (Unicast/Multicast), HTTP, DHCP, TFTP image transmission protocols
- 100Base-T Ethernet Network Interface
- Bit rate control from 100Kbps-10Mbps
- Multi-streaming: 8 non-identical streams

## Electrical

- General purpose opto-coupled input and output (DN version only)
- General purpose opto-coupled input (IR version only)
- PoE 802.3af for camera, IR illuminator and fan
- Auxiliary power 12-48V DC or 24V AC for camera, IR illuminator and fan
- Power consumption (auxiliary power):
  - 6.63 Watts maximum/10.64 Watts maximum (IR on)

## Compliance Information

- Compliance:
  - Day/Night Models: Class B FCC, Part 15; EN55022 Class B
  - IR Models: Class A FCC, Part 15; EN55022 Class A
  - EN55024, EN61000-3-2, EN61000-3-3, EN60950-1 RoHS, REACH, IP66 (EN60529)
  - CE Mark, UL Listed
  - WEEE

## Industry Standard

- PSIA and ONVIF Conformant

## Programmability

- Binning Mode (AV5125)
- Flexible cropping
- Low-light noise filter control
- Bit rate and bandwidth limitation control
- Shutter Speed = 1ms-500ms
- On-camera real-time motion detection and privacy mask with 1024 detection zones
- Backlight compensation
- Auto multi-matrix white balance
- 50/60Hz selectable flicker control
- Electronic pan, tilt, zoom (PTZ)
- Electronic image flip (180° rotation)
- Programmable shutter speed to help control motion blur
- Programmable resolution, brightness, saturation, gamma, sharpness, tint
- Picture-in-Picture: simultaneous delivery of full field-of-view and zoomed images

## Environmental

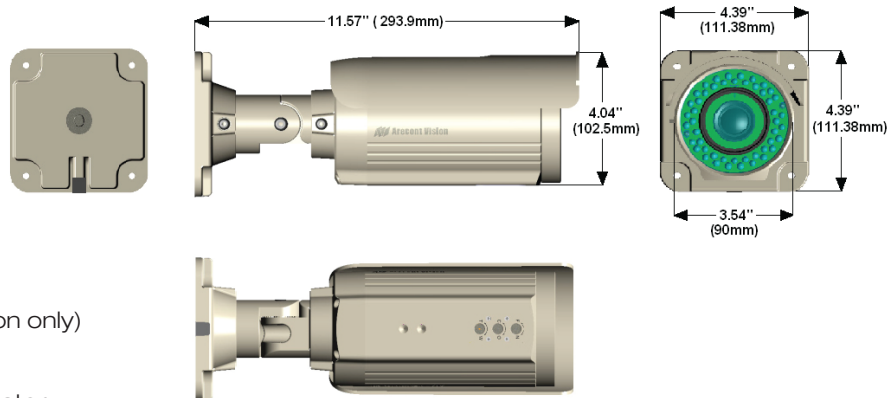
- Operating temperature: -40°C (-40°F) to +60°C (140°F)
- Stable image temperature: 0°C (32°F) to +50°C (122°F)
- Storage temperature: -40°C (-40°F) to +60°C (140°F)
- Humidity: 0% to 90% (non-condensing)

## IR Illuminator

- 48 pcs 850nm LEDs/25 meter IR distance (max)/45° IR angle
- 3 watts power consumption
- No external power required

## Mechanical

- Casing
  - Die-casting aluminum cylindrical (Bullet-style) housing
  - Vandal resistant
  - IP66 weather proof
- External lens adjustment including zoom, iris and focus
- 4" H (102mm) x 4.3" W (111mm) x 11.5" D (293mm)
- 3.74lbs (1.69kg)



## Lens

- 4.5-10mm vari-focal lens with IR correction
- Max Aperture: F1.6
- Horizontal F.O.V.
  - AV3125 = 26°-56°
  - AV5125 = 34°-73°

## Accessories

- SV-EBA - Electrical Box Adapter
- SV-JBA - Junction Box Adapter
- MD-PMA - Pole Mount Adapter
- MD-CRMA - Corner Mount Adapter

