

## MicroDome™

H.264 Ultra Low Profile Recessed Mount Day/Night IP Camera



Arecont Vision introduces MicroDome™ megapixel IP cameras. These small, ultra low profile cameras offer the great features of Arecont Vision megapixel technology like superior image quality, excellent compression and fast frame rates. An innovative spring arm design makes installation a snap: simply slide the camera through the hole and secure the magnetized cover ring with a single screw. Every model comes equipped with a mechanical day/night switcher, and pixel binning on 3- and 5-megapixel models deliver excellent low-light capabilities. Add optional true Wide Dynamic Range (WDR) and difficult lighting conditions are overcome with MicroDome™.



Ultra Low Profile Design



Dual Encoder H.264/MJPEG



True Day/Night with IR Cut Filter



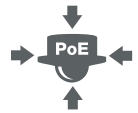
Integrated Microphone



Pixel Binning Mode on 3 and 5MP Models



Wide Dynamic Range Available on Some 1080p and 3MP Models



All-in-One PoE and Integrated Lens

### Features:

- Very Easy Installation / Factory Focused
- Ultra Low Profile Design / Small Size
- 1.3- to 5-Megapixel Resolution
- True Day/Night Functionality with Mechanical IR Cut Filter
- Optional True WDR up to 100dB at Full Resolution Available on Some 1080p and 3MP Models: See Clearly in Shaded and Bright Light Conditions Simultaneously
- All-in-one H.264 Total Power over Ethernet (PoE) Solution with Integrated 4mm Lens and Dome Housing
- Multiple Lens Options Available
- Integrated Microphone
- Dual Encoder H.264/MJPEG
- Binning Mode for Strong Low Light Performance in 3MP and 5MP Resolutions

- Fast Frame Rates
- Privacy Mask, Motion Detection, Flexible Cropping and Forensic Zooming
- Casino Mode™ Guarantees Continuous 30fps Frame Rate Required by Gaming Industry Regulations (AV2455 Model)
- New User-Friendly Webpage
- ONVIF and PSIA Conformant for Maximum Interoperability
- Made in the USA

### Model Specific Features:

AV1455DN-F	1.3MP	1280 x 1024	42fps	-	-	-
AV2455DN-F	1080p	1920 x 1080	31fps	-	Casino Mode™	-
AV2456DN-F	1080p	1920 x 1080	30fps	WDR	-	-
AV3455DN-F	3MP	2048 x 1536	21fps	-	-	Binning
AV3456DN-F	3MP	2048 x 1536	21fps	WDR	-	Binning
AV5455DN-F	5MP	2592 x 1944	14fps	-	-	Binning



Camera Imaging Specifications

		WDR			WDR		
Model		AV1455DN-F	AV2455DN-F	AV2456DN-F	AV3455DN-F	AV3456DN-F	AV5455DN-F
<b>Image Sensor (CMOS)</b>		1.3MP	2.07MP (1080p)	2.07MP (1080p)	3MP	3MP	5MP
<b>Optical Format</b>		1/2.7"	1/2.7"	1/3.2"	1/2.5"	1/3.2"	1/2.5"
<b>Pixel Pitch</b>		3µm	3µm	2.2µm	2.2µm	2.2µm	2.2µm
<b>Minimum Illumination</b>	Color	0.1 Lux @ F1.6	0.1 Lux @ F1.6	0.3 Lux @ F1.6	0.3 Lux @ F1.6	0.5 Lux @ F1.6	0.5 Lux @ F1.6
	Color Binning	-	-	-	0.15 Lux @ F1.8	0.15 Lux @ F1.4	0.15 Lux @ F1.8
	Day/Night	0 Lux, IR sensitive	0 Lux, IR sensitive	0 Lux, IR sensitive	0 Lux, IR sensitive	0 Lux, IR sensitive	0 Lux, IR sensitive
<b>Full FOV Resolution</b>		1280 H x 1024 V	1920 H x 1080 V	1920 H x 1080 V	2048 H x 1536 V	2048 H x 1536 V	2592 H x 1944 V
<b>1/4 Resolution</b>		640 H x 512 V	960 H x 540 V	960 H x 540 V	1024 H x 768 V	1024 H x 768 V	1296 H x 972 V
<b>Dynamic Range</b>		69dB	69dB	WDR up to 100dB	70.1dB	WDR up to 100dB	70.1dB
<b>Lens</b>		4mm Integrated	4mm Integrated	4mm Integrated	4mm Integrated	4mm Integrated	4mm Integrated
<b>Frame Rates</b>	At Max Res.	42fps (1280 x 1024)	31fps (1920 x 1080)	30fps (1920 x 1080)	21fps (2048 x 1536)	21fps (2048 x 1536)	14fps (2592 x 1944)
	Cropped	-	42fps (1280 x 1024)	41fps (1280 x 1024)	29fps (1920 x 1080) 41fps (1280 x 1024)	30fps (1920 x 1080) 41fps (1280 x 1024)	21fps (2048 x 1536) 29fps (1920 x 1080) 41fps (1280 x 1024)
	Binning Mode	-	-	-	46fps (1024 x 768) 64fps (960 x 540)	21fps (1024 x 768) 27fps (800 x 600) 31fps (960 x 540) 32fps (640 x 512)	34fps (1296 x 972) 46fps (1024 x 768) 64fps (960 x 540)

Data Transmission

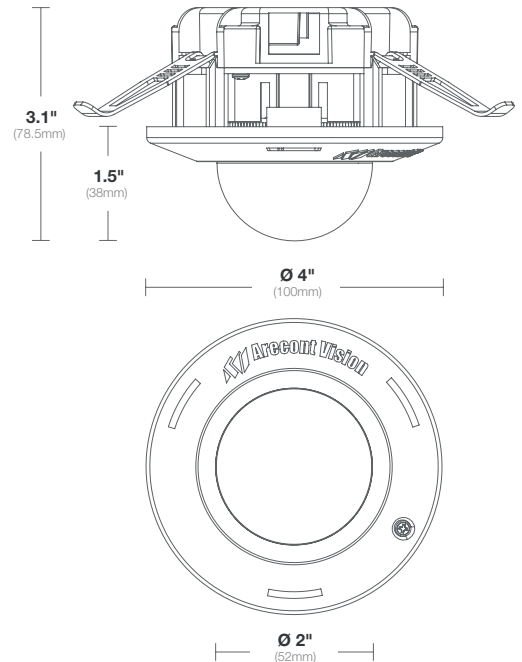
<b>Compression Type</b>	H.264 (MPEG-4, Part 10)/Motion JPEG 21 levels of quality
<b>Transmission Protocols</b>	RTSP, RTP/TCP, RTP/UDP, HTTP, TFTP, DHCP
<b>Data Rate</b>	Bit rate control from 100Kbps-10Mbps 100Base-T Ethernet Network Interface
<b>Multi-Streaming</b>	8 non-identical streams

Mechanical

<b>Casing</b>	In-ceiling mount with die-cast aluminum cover and 2" polycarbonate dome bubble Vandal resistant
<b>Lens</b>	4mm board mount (M12), fixed iris, 1.6mm aperture
<b>Gimbal</b>	Easy 2 axis camera adjustment w/ 359° pan and 90° tilt
<b>Dimensions</b>	Ø 4" (100mm) x 3.1" H (78.5mm)
<b>Weight</b>	Unit: 0.7lbs (1.27kg)
	Packaged: 1.3lbs (1.54kg)

Programmability

Motion Detection and privacy mask with 1024 detection zones
Shutter Speed: 1ms – 500ms
Pixel Binning Mode (3MP and 5MP models)
Auto adjust between WDR and LDR modes (WDR models)
Casino Mode™ maintains 30fps (AV2455 model)
MoonLight™ Mode: extended exposure and proprietary noise cancellation
Flexible Cropping (resolution windowing down to 1x1 pixel for JPEG and 2x2 pixels for H.264)
Low light noise filter control
Bit rate and bandwidth limitation control
Backlight compensation and multi-matrix white balance
50/60Hz selectable flicker control
Electronic pan, tilt, zoom (PTZ) and image flip 180°
Programmable resolution, brightness, saturation, gamma, sharpness, tint



Compliance

<b>Industry Standard</b>	PSIA and ONVIF Conformant
<b>Listings</b>	UL (CB)
<b>FCC Compliance</b>	47 CFR 15 Class A
<b>Environmental</b>	RoHS, REACH, WEEE
<b>Markings</b>	(CE) EN55022 Class A, EN55024, EN61000-3-2, EN61000-3-3, EN60950-1

Environmental

<b>Operating temperature</b>	-5°C (23°F) to +50°C (140°F)
<b>Humidity</b>	0% to 90% (non-condensing)
<b>Stable image temperature</b>	0°C (32°F) to +50°C (122°F)
<b>Storage temperature</b>	-20°C (-4°F) to +60°C (140°F)

Electrical

<b>Input/Output</b>	General purpose opto-coupled
<b>Power Over Ethernet</b>	PoE 802.3af, Class 3
<b>Max Power Consumption</b>	5.59 Watts

Lens Options

Focal Length	2.8mm	4mm	6mm	8mm	12mm	16mm
<b>Horiz. FOV</b>	<b>1.3MP</b>	57	42	28	21	14
	<b>1080p</b>	106	79	52	39	26
	<b>1080p WDR</b>	83	59	42	31	19
	<b>3MP</b>	90	66	46	34	23
	<b>3MP WDR</b>	88	63	45	33	20
	<b>5MP</b>	114	83	58	43	29
<b>Option</b>	Ordered Separately	<b>Standard</b>	Ordered Separately	Ordered Separately	Ordered Separately	Ordered Separately
<b>Part Number</b>	<b>MPM2.8</b>	-	<b>MPM6.0</b>	<b>MPM8.0</b>	<b>MPM12.0</b>	<b>MPM16.0</b>