

MegaView® 2

H.264 All-in-One Motorized P-Iris Lens Day/Night IR Indoor/Outdoor Bullet-Style IP Cameras with Optional Wide Dynamic Range (WDR)

Camera Models

1080p	1080p WDR	3 Megapixel	3 Megapixel WDR	5 Megapixel	10 Megapixel
AV2225PMIR	AV2226PMIR	AV3225PMIR	AV3226PMIR	AV5225PMIR	AV10225PMIR
AV2225PMIR-A	AV2226PMTIR	AV3225PMTIR	AV3226PMIR-A	AV5225PMIR-A	AV10225PMTIR
AV2225PMTIR			AV3226PMTIR	AV5225PMTIR	



MegaView® 2 multi-megapixel cameras provide ample resolution to zoom-in for details in live or recorded video. These indoor/outdoor all-in-one solutions integrate a 1080p, 3-, 5-, or 10-megapixel camera with fast frame rates and an IR corrected motorized wide angle or telephoto, P-iris lens into an IP66 environmental rated, tamper-resistant bullet-style housing. H.264 compression reduces bandwidth and storage requirements while delivering full frame rates and full resolution without sacrificing image quality.

Integrated Motorized Lens with Remote Focus and Zoom

P-Iris Control for Best Depth of Field and Image Clarity

Wide Angle or Telephoto Lens Option

All-in-One Bullet-Style Solution

True Day/Night with IR Cut Filter

Weather Resistant IP66 Rated

Audio Input/Output (-A Models)

Dual Mode: 1080p/10MP on 10MP Models

Pixel Binning Mode on 3, 5, and 10MP Models

IR LEDs

Wide Dynamic Range Available on AV2226 AV3226 Models

Casino Mode™ Maintains at Least 30fps on AV2225 Models

Dual Encoder H.264/MJPEG

Features:

- Remote Focus/Zoom Motorized P-Iris Lens
- P-Iris Control to Get Best Depth of Field and Image Clarity
- Wide Angle or Telephoto Lens Options
- Optional True WDR up to 100dB at Full Resolution Available on Some 1080p and 3MP Models: See Clearly in Shaded and Bright Light Conditions Simultaneously
- Optional Audio
- Casino Mode™ Guarantees Continuous 30fps Frame Rate Required by Gaming Industry Regulations (AV2225 Models)
- Binning Mode for Strong Low Light Performance on 3MP, 5MP and 10MP Resolutions
- True Day/Night Functionality with Mechanical IR Cut Filter and IR LEDs
- Outdoor Rated IP66 and Tamper-Resistant Housing
- Total PoE Solution (No External Power Required for IR LEDs)
- PoE and Auxiliary Power: 12-48V DC/24V AC
- Easily Adjustable 3-Axis Wall Mount, Junction Box Included
- Dual Encoder H.264/MJPEG
- Privacy Mask, Motion Detection, Flexible Cropping, Bit Rate Control, Multi-Streaming and Forensic Zooming
- Fast Frame Rates
- PSIA Conformant
- New User-Friendly Webpage
- Made in the USA

3-Axis Arm Adjustment



Model Specific Features

Model	Resolution	Frame Rate	Features	
AV2225	1080p	31fps	Casino Mode™	
AV2226	1080p	30fps	WDR	
AV3225	3MP	21fps		Binning
AV3226	3MP	21fps	WDR	Binning
AV5225	5MP	14fps		Binning
AV10225	10MP	7fps		Binning

Options

PMIR	Wide Angle Lens w/ Remote Focus/Zoom, P-Iris, Day/Night, IR LEDs
PMTIR	Telephoto Lens w/ Remote Focus/Zoom, P-Iris, Day/Night, IR LEDs
-A	Audio



Camera Imaging Specifications

		WDR			WDR		
Model		AV2225	AV2226	AV3225	AV3226	AV5225	AV10225
Image Sensor (CMOS)		2.07MP (1080p)	2.07MP (1080p)*	3MP*	3MP	5MP	10MP
Optical Format		1/2.7"	1/3.2"	1/2.5"	1/2.5"	1/2.5"	1/2.3"
Pixel Pitch		3µm	2.2µm	2.2µm	2.2µm	2.2µm	1.67µm
Minimum Illumination	Color (Day Mode)	0.1 Lux	0.3 Lux	0.3 Lux	0.3 Lux	0.3 Lux	0.42 Lux
	Color Binning (Day Mode)	-	-	0.15 Lux	0.15 Lux	0.15 Lux	0.21 Lux
	B/W (Night Mode)	0 Lux, IR sensitive	0 Lux, IR sensitive	0 Lux, IR sensitive	0 Lux, IR sensitive	0 Lux, IR sensitive	0 Lux, IR sensitive
Full FOV Resolution		1920 H x 1080 V	1920 H x 1080 V	2048 H x 1536 V	2048 H x 1536 V	2592 H x 1944 V	3648 H x 2752 V
1/4 Resolution		960 H x 540 V	960 H x 540 V	1024 H x 768 V	1024 H x 768 V	1296 H x 972 V	1824 H x 1376 V
Dynamic Range		69dB	WDR up to 100dB	70.1dB	WDR up to 100dB	70.1dB	57.2dB
Maximum SNR		45dB	49dB	45dB	49dB	45dB	40dB
Frame Rates	At Max Resolution	31fps (1920 x 1080)	30fps (1920 x 1080)	21fps (2048 x 1536)	21fps (2048 x 1536)	14fps (2592 x 1944)	7fps (3648 x 2752)
	Cropped	42fps (1280 x 1024)	41fps (1280 x 1024)	29fps (1920 x 1080) 41fps (1280 x 1024)	30fps (1920 x 1080) 41fps (1280 x 1024)	21fps (2048 x 1536) 29fps (1920 x 1080) 41fps (1280 x 1024)	12fps (2592 x 1944) 18fps (2048 x 1536) 25fps (1920 x 1080) 37fps (1280 x 1024)
	Binning Mode	-	-	46fps (1024 x 768) 64fps (960 x 540)	21fps (1024 x 768) 27fps (800 x 600) 31fps (960 x 540) 32fps (640 x 512)	34fps (1296 x 972) 46fps (1024 x 768) 64fps (960 x 540)	29fps (1920 x 1080) 26fps (1824 x 1376) 43fps (1296 x 972) 54fps (1024 x 768)
Lens	Wide Angle Motorized (PMIR Models)	3-9mm, 1/2.7", F1.2, RZ, RF, P-iris H-FOV = 115°-37°	3-9mm, 1/2.7", F1.2, RZ, RF, P-iris H-FOV = 82°-27°	3-9mm, 1/2.7", F1.2, RZ, RF, P-iris, H-FOV = 87°-29°	3-9mm, 1/2.7", F1.2, RZ, RF, P-iris H-FOV = 87°-29°	3.6-9mm, 1/2.5", F1.3, RZ, RF, P-iris, H-FOV = 96°-36°	4.7-9mm, 1/2.3", F1.5, RZ, RF, P-iris H-FOV = 78.8°-37°
	Telephoto Motorized (PMTIR Models)	8-22mm, 1/2.7", F1.6, RZ, RF, P-iris H-FOV = 42°-16°	8-22mm, 1/2.7", F1.6, RZ, RF, P-iris H-FOV = 30°-12°	8-22mm, 1/2.7", F1.6, RZ, RF, P-iris H-FOV = 28°-12°	8-22mm, 1/2.7", F1.6, RZ, RF, P-iris H-FOV = 32°-12°	9-22mm, 1/2.5", F2.0, RZ, RF, P-iris H-FOV = 38°-16°	12-22mm, 1/2.3", F2.2, RZ, RF, P-iris H-FOV = 30°-17°

* Effective

Data Transmission	Compression Type	H.264 (MPEG-4, Part 10)/Motion JPEG 21 levels of quality
	Protocols	RTSP, RTP/TCP, RTP/UDP, HTTP, DHCP, TFTP
	Network Interface	100Base-T Ethernet Network Interface
	Multi-Streaming	8 non-identical streams

Programmability	Remote focus, remote zoom and P-iris Control
	Motion detection and privacy mask with up to 1024 detection zones
	Auto adjustment between WDR and LDR modes (WDR models only)
	Programmable shutter speed to help control motion blur
	Pixel binning mode (3, 5 and 10MP)
	Casino Mode™ maintains 30fps (AV2225 model)
	Flexible Cropping (resolution windowing down to 1x1 pixel for JPEG and 2x2 pixels for H.264)
	Low light noise filter control
	Bit rate and bandwidth limitation control
	Backlight compensation and multi-matrix white balance
	50/60Hz selectable flicker control
	Electronic pan, tilt, zoom (PTZ) and image flip 180°
Programmable resolution, brightness, saturation, gamma, sharpness, tint	

Compliance	Industry Standard	PSIA Conformant
	Listings	UL (CB)
	FCC Compliance	47 CFR 15 Class A
	Environmental	RoHS, REACH, WEEE
	Markings	(CE) EN55022 Class A, EN55024, EN61000-3-2, EN61000-3-3, EN60950-1
	Mechanical	IP66 (EN60529)

Environmental	Operating temperature	-40°C (-40°F) to +50°C (122°F)
	Stable image temperature	0°C (32°F) to +50°C (122°F)
	Storage temperature	-40°C (-40°F) to +60°C (140°F)
	Humidity	0% to 90% (non-condensing)

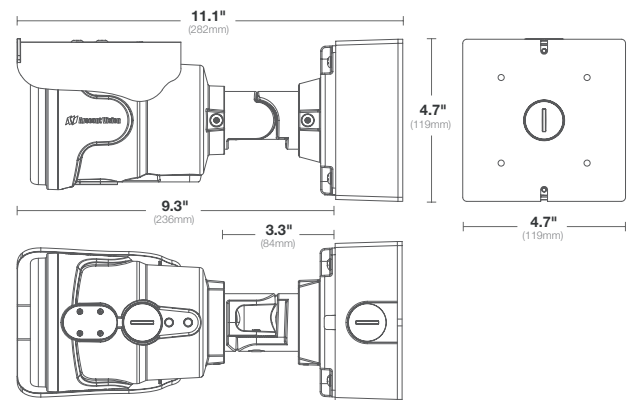
Electrical	Alarm Input/Output	General purpose opto-coupled input
	Power Over Ethernet	PoE 802.3af, Class 2
	Auxiliary Power	12-48V DC, 24V AC

Max Power Consumption (Watts DC power)	Model	Watts
	AV2225	11.3
	AV2226/AV3226	12.4
	AV3225/AV5225	11.5
	AV10225	11.8

Audio Electrical (-A models only)	Streaming	Two-way
	Compression	G.711 PCM 8 kHz
	Input/output	Microphone in / line output

IR Illuminator	PMIR Model	48 pcs 850nm LEDs / 30 meter IR distance (max) / 50° IR angle
	PMTIR Model	4 pcs 850nm LEDs / 60 meter IR distance (max) / 33° IR angle
	No external power required	

Mechanical	Casing	Die-casting aluminum cylindrical (Bullet-style) housing IP66 weather proof standard Tamper resistant
	Mount	Easily adjustable 3-axis with 360° pan, 90° tilt and 360° z-axis
	Total Unit Dimensions	Unit: 4.7" H (119mm) x 4.7" W (119mm) x 11.11" D (282mm) Packaged: 7.1" H (180mm) x 7.1" W (180mm) x 13.5" D (342.9mm)
Weight	Unit: 3.9 lb (1.76 kg) Packaged: 5.2 lb (2.35 kg)	



Accessory	SV-EBA	Electrical Box Adapter
	MD-PMA	Pole Mount Adapter
	MD-CRMA	Corner Mount Adapter