

SurroundVideo® Omni

12MP WDR or 20MP H.264 All-in-One Omni-Directional User-Configurable Multi-Sensor Day/Night Indoor/Outdoor Dome IP Cameras



Multi-Sensor Omni

Description:

Delivering revolutionary flexibility, Arecont Vision SurroundVideo® Omni multi-sensor, multi-megapixel cameras provide ample resolution to zoom-in for details in live and recorded video. With multiple imagers, each with a choice of an IR corrected lens, one SurroundVideo® Omni can replace 4 standard cameras, requiring just a single installation with only one ethernet cable.

A unique track design allows four individual sensor gimbals to be independently placed in nearly any configuration. Popular uses of SurroundVideo® Omni IP66 rated / IK-10 impact-resistant cameras are to

cover the intersection of hallways or to provide a 270° view at the corner of a building.

SurroundVideo® Omni cameras are available in total resolutions of 12 megapixels (MP) or 20 megapixels. Optional lenses can be selected from a choice of 2.8, 4, 6, 8, 12 and 16mm. Wide Dynamic Range (WDR) that delivers up to 100dB at full resolution is available in the 12MP model. H.264 compression reduces bandwidth and storage requirements, while delivering full frame rates and resolution, without sacrificing image quality.

Camera Models

| 12 Megapixel | 20 Megapixel |
|--------------|--------------|
| AV12176DN-NL | AV20175DN-NL |
| AV12176DN-28 | AV20175DN-28 |
| AV12176DN-08 | AV20175DN-08 |



Omni-Directional Track with 4 Customizable Sensors



270° FOV Capable



Wide Dynamic Range on 12MP Models



True Day/Night with IR Cut Filter



Pixel Binning Mode



Dual Encoder H.264/MJPEG



Ultra Low Profile Design



Impact / Weather Resistant IK-10 and IP66 Rated

Features:

- 12MP WDR and 20MP Configurations
- Up to 4 Individual Camera Gimbals can be Independently Placed in Any Orientation Around a 360° Track with Extra Positions for Looking Straight Down
- Multiple Lens Options in a Single Camera Housing from 2.8mm up to 16mm
- True WDR up to 100dB at Full Resolution: See Clearly in Shaded and Bright Light Conditions Simultaneously
- True Day/Night Functionality with Mechanical IR Cut Filter
- Binning Mode for Strong Low Light Performance
- Forensic Zooming – Zoom Live or After the Event While Recording Full Field-of-View in HD – Replace PTZ Devices
- Fast Frame Rates
- Privacy Mask, Motion Detection, Flexible Cropping, Bit Rate Control and Multi-Streaming
- Dual Encoder H.264/MJPEG
- PoE and Auxiliary Power: 12–48V DC/24V AC
- Ultra Discrete, Low-Profile Housing
- Outdoor Rated IP66 and IK-10 Impact-Resistant Housing
- Complete Mounting Options
- Reduced Overall System Cost
- Made in the USA

Model Specific Features

| Model | Resolution | Frame Rate | Features | |
|--------------|------------|------------|----------|---------|
| AV12176DN-NL | 12MP | 5.2fps | WDR | Binning |
| AV12176DN-28 | 12MP | 5.2fps | WDR | Binning |
| AV12176DN-08 | 12MP | 5.2fps | WDR | Binning |
| AV20175DN-NL | 20MP | 3.5fps | | Binning |
| AV20175DN-28 | 20MP | 3.5fps | | Binning |
| AV20175DN-08 | 20MP | 3.5fps | | Binning |

Options

| | |
|-----|--|
| -NL | No Lenses (User Configurable and Ordered Separately) |
| -28 | Configured with 2.8mm Lenses* |
| -08 | Configured with 8mm Lenses** |

* Good option for a 270° Corner Mount configuration
 ** Good configuration option for a hallway intersection

Camera Imaging

| Model | | AV12176DN | | AV20175DN | |
|-------------------------------------|--------------------------------|--------------------------------|----------------------|-----------------------------|---------------------|
| Image Sensor | | 4 x 3MP CMOS | | 4 x 5MP CMOS | |
| Optical Format | | 1/3.2" | | 1/2.5" | |
| Pixel Pitch | | 2.2µm | | 2.2µm | |
| Minimum Illumination | | Color | 0.5 Lux | Color | 0.3 Lux |
| | | Color Binning | 0.15 Lux | Color Binning | 0.15 Lux |
| | | Day/Night | 0 Lux, IR sensitive | Day/Night | 0 Lux, IR sensitive |
| Full Field of View (FOV) Resolution | | Total | 8192 H x 1536 V | Total | 10240 H x 1920 V |
| | | Per Sensor | 2048 H x 1536 V | Per Sensor | 2560 H x 1920 V |
| 1/4 Resolution | | Total | 4096 H x 768 V | Total | 5120 H x 960 V |
| | | Per Sensor | 1024 H x 768 V | Per Sensor | 1280 H x 960 V |
| Dynamic Range | | Up to 100dB at Full Resolution | | 70.1dB | |
| Lens | 2.8mm Lens Option (-28 Models) | 2.8mm, F/1.6", H-FOV = 88° | | 2.8mm, F/1.6", H-FOV = 114° | |
| | 8mm Lens Option (-08 Models) | 8mm, F/1.6", H-FOV = 33° | | 8mm, F/1.6", H-FOV = 43° | |
| Video Frame Rates | | Max | 5.2fps (8192 x 1536) | Max | 3.5fps (10240x1920) |
| | | | 16.7fps (4096 x 768) | | 11fps (5120x960) |

Data Transmission

| | |
|-------------------|--|
| Compression Type | H.264 (MPEG-4, Part 10)/Motion JPEG |
| | 21 levels of quality |
| Network Protocols | RTSP, RTP/TCP, RTP/UDP, HTTP, DHCP, TFTP |
| Network Interface | 100Base-T Ethernet |
| Multi-Streaming | 8 non-identical streams (2 per sensor) |

Electrical

| | |
|-----------------------|--------------------------------|
| Input/Output | General purpose opto-coupled |
| Power Over Ethernet | PoE 802.3af, Class 3 |
| Auxiliary Power | 12-48V DC and 24V AC |
| Max Power Consumption | 14 Watts Max (Auxiliary Power) |

Programmability

| |
|--|
| Auto adjustment between WDR and LDR modes (12MP Models) |
| Binning Mode |
| Privacy mask |
| Flexible Cropping (resolution windowing down to 1x1 pixel for JPEG and 2x2 pixels for H.264) |
| Auto Exposure (AE) and Gain Control (AGC) > 120dB |
| On-camera real-time motion detection with up to 1024 detection zones (per sensor) |
| Auto multi-matrix white balance |
| 50/60Hz selectable flicker control |
| Electronic pan, tilt, zoom (PTZ) |
| Programmable shutter speed to help control motion blur |
| MoonLight™ Mode: extended exposure and proprietary noise cancellation |
| Programmable resolution, brightness, saturation, gamma, sharpness, tint |
| Simultaneous delivery of full field-of-view and zoomed images |
| Bandwidth and storage savings by running at 1/4 resolution |
| Bit rate and bandwidth limit control |

Mechanical

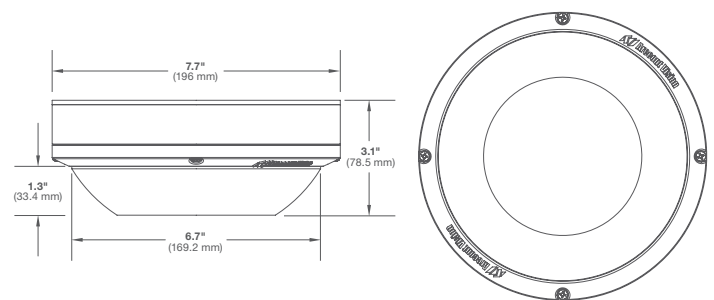
| | | |
|-----------------------|--|------------------------------------|
| Casing | Die-cast aluminum chassis with polycarbonate dome bubble | |
| | IP66 weather proof standard | |
| | Impact resistant, IK-10 rated | |
| Gimbal | Easily adjustable, 2-axis w/360° pan and 90° tilt | |
| Total Unit Dimensions | Unit | Ø 7.7" (196mm) x 3.1" H (78.5mm) |
| | Bubble Only | Ø 6.7" (169.2mm) x 1.3" H (33.4mm) |
| Weight | Unit | 2.8lbs (1.27kg) |
| | Packaged | 3.4lbs (1.54kg) |

Compliance

| | |
|----------------|-------------------|
| Listings | UL (CB) |
| FCC Compliance | 47 CFR 15 Class A |
| Environmental | RoHS, REACH, WEEE |

Environmental

| | |
|--------------------------|---|
| Protection Ratings | IP66 water/dust protection rating |
| | IK-10 impact-resistant polycarbonate dome |
| Operating temperature | -40°C (-40°F) to +50°C (122°F) |
| Humidity | 0% to 90% (non-condensing) |
| Stable image temperature | 0°C (32°F) to +50°C (122°F) |
| Storage temperature | -40°C (-40°F) to +60°C (140°F) |

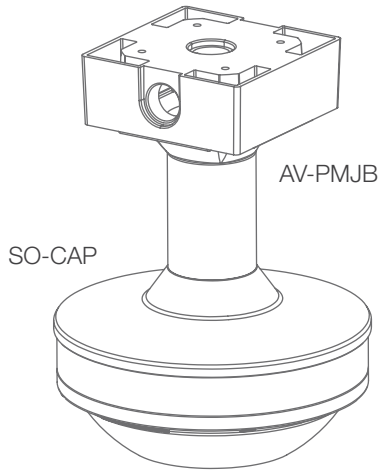


Lens Options

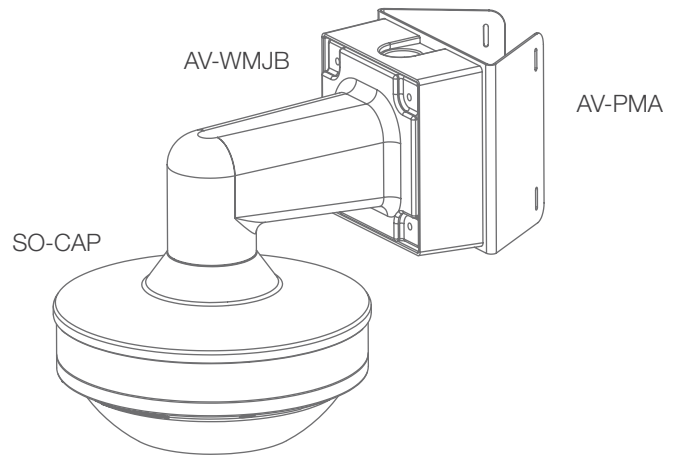
| Focal Length | | 2.8mm | 4mm | 6mm | 8mm | 12mm | 16mm |
|--------------|---------|--------|--------|--------|--------|---------|---------|
| Horiz. FOV | 3MP WDR | 88 | 63 | 45 | 33 | 20 | 16 |
| | 5MP | 114 | 83 | 58 | 43 | 29 | 22 |
| F Rating | | F/1.6 | F/1.6 | F/1.6 | F/1.6 | F/1.6 | F/1.6 |
| Part Number | | MPM2.8 | MPM4.0 | MPM6.0 | MPM8.0 | MPM12.0 | MPM16.0 |

Accessories

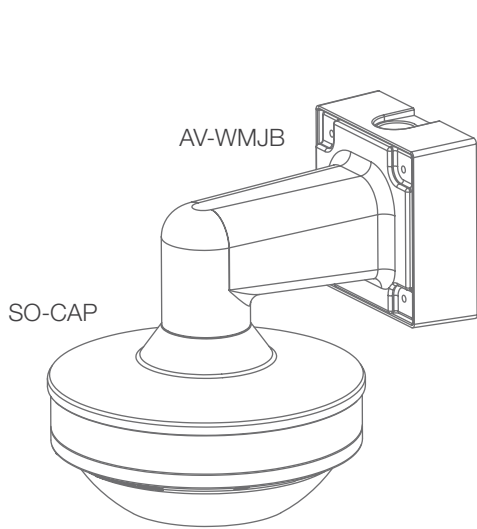
| | |
|---------|---|
| SO-CAP | Cap for SurroundVideo® Omni |
| AV-WMJB | Wall Mount Bracket with Junction Box |
| AV-PMJB | Pendant Mount Bracket with Junction Box |
| AV-PMA | Pole Mount Adapter |
| AV-CRMA | Corner Mount Adapter |
| SV-EBA | Electrical Box Adapter |



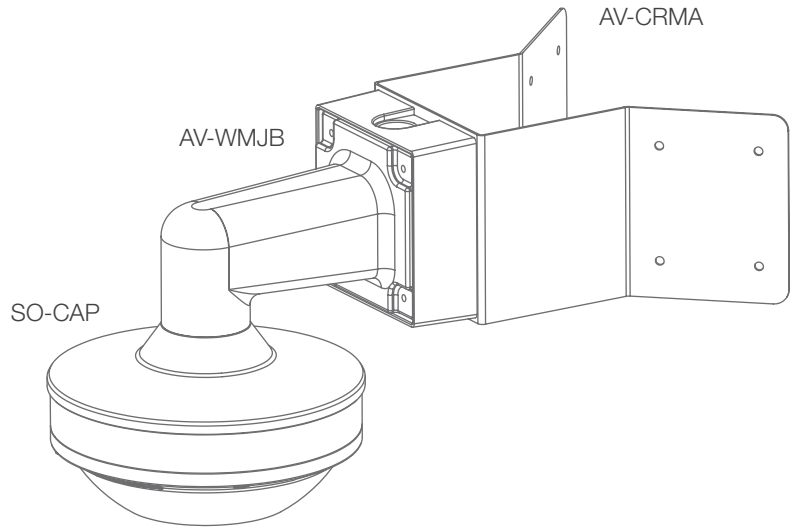
Ceiling Mount Configuration



Wall Mount Configuration with Pole Mount Adapter



Wall Mount Configuration



Wall Mount Configuration with Corner Mount Adapter