



A 300
Fingerprint & RFID
Time Attendance

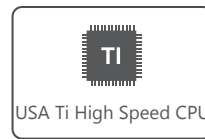


Exquisite Time Attendance solution

With Anviz's industry-leading fingerprint algorithm BioNANO & waterproof, dustproof and scratchproof fingerprint sensor, A series offers a perfect time attendance solution. Whenever you need to get the employee in and out records, everything is easy through Mini USB Slave (no driver needed), USB Flash Drive Host or TCP/IP network.



Fast fingerprint scan
in less than 0.5 second



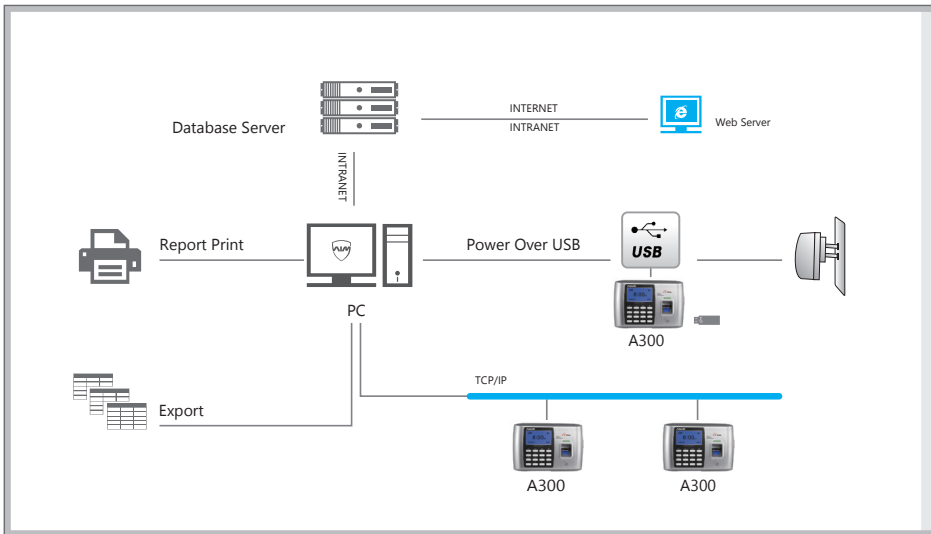
Feature

- Texas Instruments 32-bit high speed CPU of low power consumption
- BioNANO core algorithm of high speed and stability
- New generation waterproof, dustproof and scratchproof AFOS fingerprint sensor
- User name display and human voice prompt
- Realtime data transfer and WEB online tracking
- Mini USB Slave connection. No driver needed
- TCP/IP connectivity
- USB Flash Drive Host data download
- Employee authentication methods: ID + password, ID + fingerprint, fingerprint + password, fingerprint only
- Fast fingerprint scan in less than 0.5 second
- 8 different customizable time and attendance status
- 6-digit work code feature to calculate different job cost
- Support multiple display and software language

Parameter

Item	Description
Processor	32-bit ARM MCU
Algorithm	BioNANO
Sensor	AFOS Optical Sensor
Scan Area	22mm*18mm
Resolution	500 DPI
LCD	128*64 Blue LCD
Fingerprint Capacity	2000
Card Capacity	2000(Optional)
Log Capacity	50000
Identification Mode	FP, Card, ID+FP, ID+PW, PW+Card, FP+Card
Identification Time	<0.5 Sec
FRR	0.001%
FAR	0.00001%
Communication Interface	Mini USB Slave, USB Flash Drive Host , TCP/IP, optional RS232
Relay Out	Yes(For schedule bell)
Card Reader Module	125KHZ EM RFID
Fingerprint Image Display	Yes
Self-defined Status	8 different customizable
Certificate	FCC, CE, ROHS

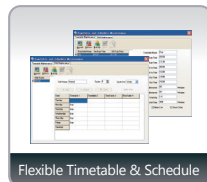
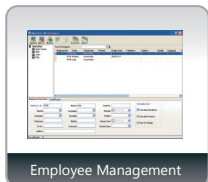
Topology



AIM Standard

AIM is a software platform available for Anviz all products including time and attendance, access control, smart lock and distributed access controller etc. It provides remote control, network management and mobile solution for different user.

AIM Standard Software Interface



ANVIZ® and BioNANO® are registered trademarks of Anviz Global and cannot be used without the permission of Anviz.

Due to the consistent improving of the product, this specification and appearance is subject to change without notice.