



Zoom Lenses



FEATURES

- 1/3-inch format
- 1/2-inch format
- C and CS mounts
- Color corrected optics
- Long life drive motors
- 10x and 12x zoom
- Available with preset options
- Built-in auto iris EE amplifiers and camera driven DC auto iris

The extensive line of American Dynamics color corrected, vibration resistant, high quality zoom lenses provides price competitive solutions for diverse view requirements. These lenses, with their compact configuration, are available with both C and CS mounts.

Focus and zoom drives use high quality, long life motors with protective clutch assemblies that prevent damage. Iris control is accomplished by automatic galvanometer movement, gear drive or, where operator control is necessary, motor drive.

Versions of lenses are available for motorized iris control, as well as either DC or EE auto iris control.

AMERICAN DYNAMICS ZOOM LENSES

SPECIFICATIONS

Model Number	Focal Length	Aperture (f-stop)	Zoom Ratio	Presets	Lens Format	Mount	View Angle		Minimum Object Distance	Filter Screw Size	Weight
							Horizontal	Vertical			
Variable Focal Length – DC Iris											
LZ067212A	6.0 to 72.0 mm	f1.2 - 360	12x	No	1/3-inch	CS	43.1° to 3.9°	32.6° to 2.9°	1.50 m (5.00 ft)	49.0 x 75.0 mm	460 g (1.01 lbs)
Variable Focal Length – EE Iris											
LZ088012A	8.0 to 80.0 mm	f1.2 - 360	10x	No	1/2-inch	C	42.9° to 4.6°	32.7° to 3.5°	1.50 m (5.00 ft)	62.0 x 75.0 mm	900 g (198 lbs)
LZ088012AP	8.0 to 80.0 mm	f1.2 - 360	10x	Yes	1/2-inch	C	42.9° to 4.6°	32.7° to 3.5°	1.50 m (5.00 ft)	62.0 x 75.0 mm	920 g (200 lbs)

Dimension Chart

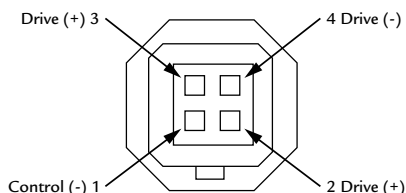
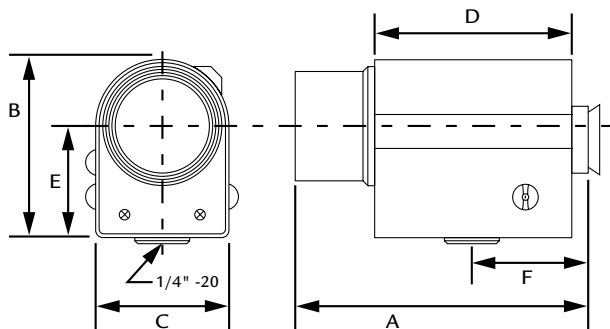
Model Number	A	B	C	D	E	F
Variable Focal Length – DC Iris						
LZ067212A	104.5 mm (4.11 in)	69.0 mm (2.72 in)	62.0 mm (2.44 in)	74.1 mm (2.92 in)	38.0 mm (1.50 in)	59.5 mm (2.34 in)
Variable Focal Length – EE Iris						
LZ088012A/LZ088012AP	123.0 mm (4.84 in)	93.7 mm (3.69 in)	80.0 mm (3.15 in)	110.6 mm (4.36 in)	53.7 mm (2.11 in)	42.1 mm (1.86 in)

Motor Specifications

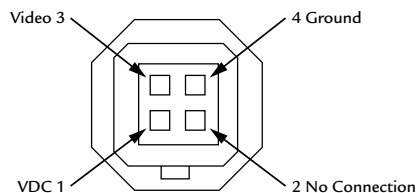
Control Voltage12 VDC
 Current50 mA
 Zoom Travel Time4 - 6 seconds

EE Iris Specifications

Control Voltage8 - 18 VDC
 Current< 30 mA
 Input Signal0.5 - 1.0 Vp-p
 Response Time< 3 seconds



DC Iris Connector Details
(solder side of connector)



EE Iris Connector Details
(solder side of connector)

The Auto Iris Lens connectors are compatible with all American Dynamics cameras.