

### Features

- 90° hold open facility available at no extra cost
- Standard spindle length - 12mm, also available in 17/22/28mm
- Replacement items available for retrofit installations and maintenance
- Quality products at acceptable prices
- Nationwide maintenance service available

### Functionality

The overhead door closer is designed to be concealed within the transom header bar of the door. It provides controlled closing of a single or double action, aluminium door or doors. Features built into the closer include dual closing speeds to allow flexibility in closing; three levels of spring strength and 90° hold open facility. The closer comes complete with its own fixing pack, 51A4 standard pivot and comprehensive fixing instructions. Various arms and spindle lengths are available on request.

### Side Loading Option (Includes 51A2 Arm, 51A4 Pivot & fixings)

Code	Description
DDA-NHO-T1-U	DDA Compliant - no hold open
510100T1-U	Light duty (size 1) - no hold open
510200T1-U	Medium duty (size 2) - no hold open
510300T1-U	Heavy duty (size 3) - no hold open
510900T1-U	Variable strength - no hold open
DDA-HO-T1-U	DDA Compliant - 90° hold open
510190T1-U	Light duty (size 1) - 90° hold open
510290T1-U	Medium duty (size 2) - 90° hold open
510390T1-U	Heavy duty (size 3) - 90° hold open
510990T1-U	<b>Variable strength - 90° hold open*</b> (See note on page 5)
510400DT1-U	Dummy Closer

### End Loading Option (Includes 51A3 Arm, 51A4 Pivot & fixings)

Code	Description
DDA-NHO-T2-U	DDA Compliant - no hold open
510100T2-U	Light duty (size 1) - no hold open
510200T2-U	Medium duty (size 2) - no hold open
510300T2-U	Heavy duty (size 3) - no hold open
510900T2-U	Variable strength - no hold open
DDA-HO-T2-U	DDA Compliant - 90° hold open
510190T2-U	Light duty (size 1) - 90° hold open
510290T2-U	Medium duty (size 2) - 90° hold open
510390T2-U	Heavy duty (size 3) - 90° hold open
510990T2-U	<b>Variable strength - 90° hold open*</b> (See note on page 5)
510400DT2-U	Dummy Closer

### Short Side Loading Option (Includes 51A1 Arm, 51A4 Pivot & fixings)

Code	Description
DDA-NHO-T3-U	DDA Compliant - no hold open
510100T3-U	Light duty (size 1) - no hold open
510200T3-U	Medium duty (size 2) - no hold open
510300T3-U	Heavy duty (size 3) - no hold open
510900T3-U	Variable strength - no hold open
DDA-HO-T3-U	DDA Compliant - 90° hold open
510190T3-U	Light duty (size 1) - 90° hold open
510290T3-U	Medium duty (size 2) - 90° hold open
510390T3-U	Heavy duty (size 3) - 90° hold open
510990T3-U	<b>Variable strength - 90° hold open*</b> (See note on page 5)
510400DT3-U	Dummy Closer



### 51A1

**Special Top Arm Assembly**  
**Short Side Load**  
 For use with 65mm pivot and 51A5 'F' bracket



### 51A2

**Side Load Top Arm Assembly**  
 70mm pivot



- NB** - Trade pack quantity for all closer types is 4  
 - 17mm Extended Spindle, change code to 'X-U' i.e 510190T1X-U  
 - 22mm Extended Spindle, change code to 'X-U-22' i.e 510190T1X-U-22  
 - 28mm Extended Spindle, change code to 'X-U-28' i.e 510190T1X-U-28

# closers

## Overhead Door Closer Accessories



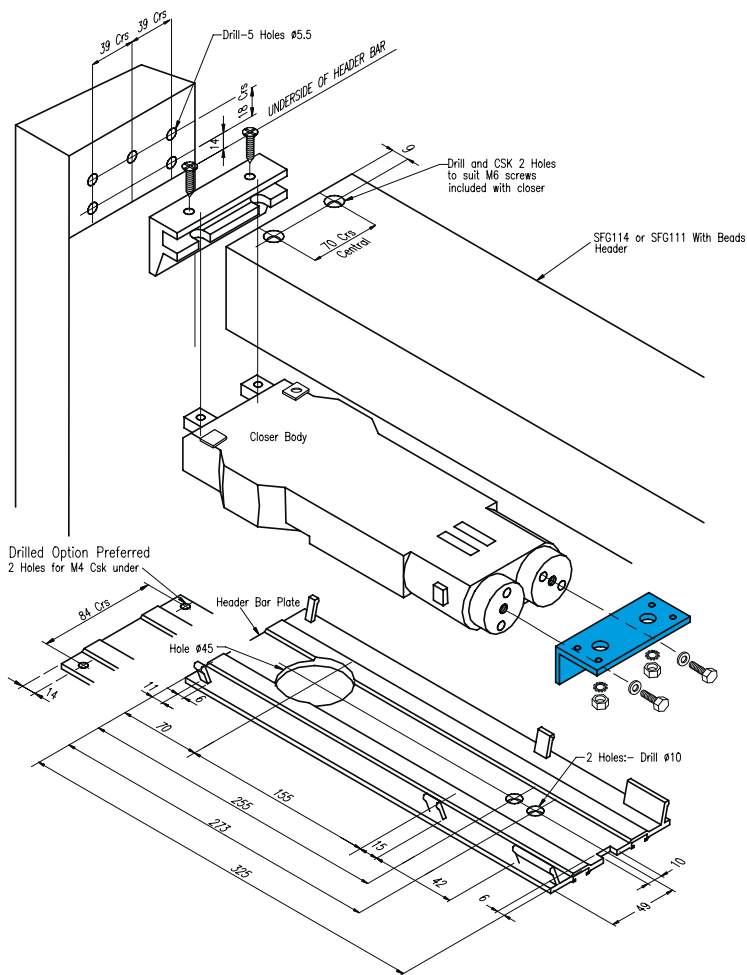
Dimensions:	293mm x 90mm
Concealed thickness:	37mm
Maximum door width:	Light spring - under 750mm (size 1) Medium spring - 751mm to 950mm (size 2) Heavy spring - 951mm to 1150mm (size 3)
Maximum door weight:	100kg - Standard pivot, 120kg - Heavy duty pivot
Maximum door height:	2540mm
Closing speed:	Dual; initial closing speed is factory preset. Final closing speed is full adjustable after installation
Lubrication:	Stable hydraulic fluid suitable for most climatic conditions and constant lubrication
Function:	Built in positive back stop and optional 90° hold open position

### Accessories

Code	Description
51A1	Special top arm assembly - short side load
51A2	Side load top arm assembly
51A3	End load top assembly - use for round nose stiles
51A4	Standard bottom pivot assembly
51A5	"F" bracket, closing jamb/header bar bracket including fixings
51A10	Heavy duty bottom pivot assembly - maximum weight 120kg

**\* VARIABLE - If replacing a standard closer with variable strength, the bracket highlighted below will need to be changed. This is supplied with the variable strength closer.**

### Preparation Detail



### 51A3 End Load Top Assembly Use for Roundnose Stiles



### 51A4 Bottom Pivot Assembly

### 51A10 Heavy Duty Bottom Pivot Assembly also available



### 51A5 'F' Bracket with Screws (Set A)

