

DESCRIPTION

The ACS-ELV provides elevator access control to a single elevator cab for up to eight floors. It can be expanded to one cab with up to 64 floors or two cabs with up to 32 floors with the addition of AC-IOE expansion boards.

The AC-2DE is a two reader expansion board. It has two card reader inputs, six digital inputs, four solid state dry contact relays, and two integrated lock power outputs.

The AC-IOE expands the number of floors in a ACS-ELV starter kit by eight. Up to seven AC-IOEs can be added to the ACS-ELV.

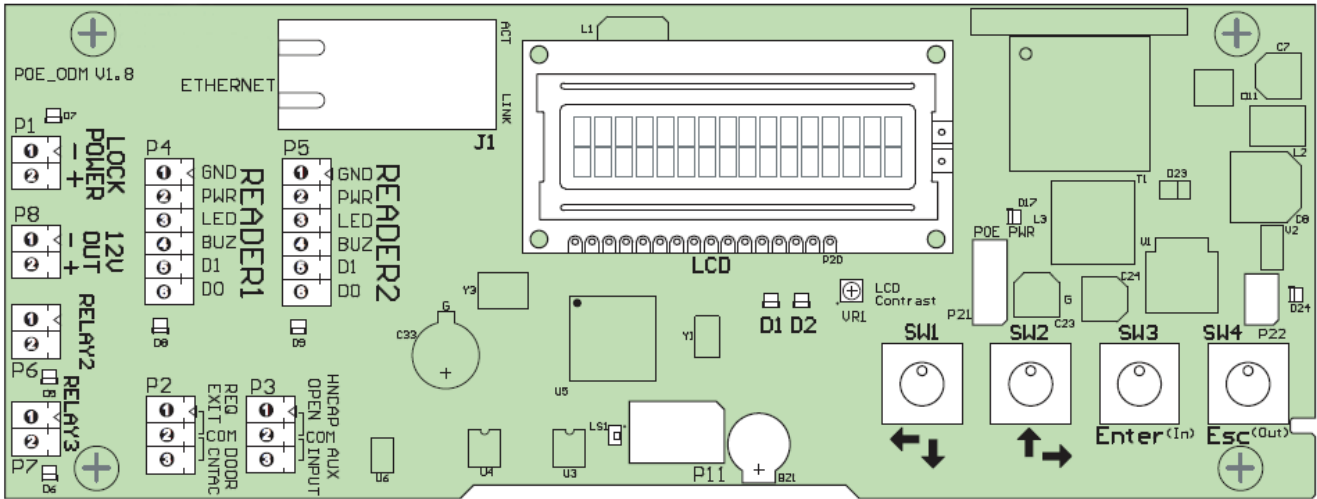
The AC-C is a steel enclosure designed to hold a master controller, an AC-PS1250 power supply, and up to four expansion boards. Standoffs are included for board mounting. It is lockable, vented, and includes nine conduit knockouts on the sides and back of the enclosure. Additional AC-C enclosures may be required to accommodate expanded panels.

FEATURES

- Two Wiegand inputs per AC-2DE
- Eight solid state dry contact relays per AC-IOE
- Eight solid state dry contact inputs per AC-IOE
- NDAA and TAA compliant
- Supports up to 64 floors for a single elevator cab
- Supports up to 32 floors for two elevator cabs
- Up to seven AC-IOE boards

ACS-ELV

Elevator Master Controller

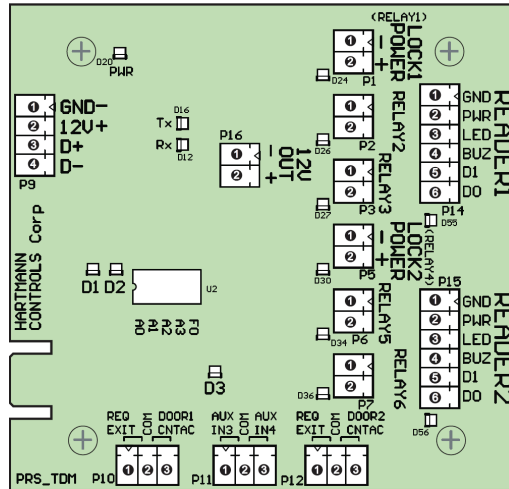


FEATURE CALL-OUT DEFINITIONS

- [P1] Lock power (12V DC, 500mA)
- [P2-P3] Inputs
- [P4-P5] Wiegand inputs
- [P6-P7] Relay outputs (dry contacts)
- [P8] Power output (12V DC, 300mA)
- [J1] RJ45 port
- [LCD] Diagnostic LCD
- [SW1-SW4] Diagnostic navigation buttons
- [D3-D4] Status LEDs
- [S1] Infrared motion sensor
- [LS1] Tamper switch

SPECIFICATIONS

- Power Source:** PoE (IEEE 802.3af)
- Motion Sensor:** Infrared
- Lock Power:** 12V DC, 500mA
- Option Power:** 12V DC, 300mA
- Contact Rating:** 24V DC, 1A
- Protocols:** IPv4, IPv6, TCP, UDP, HTTPS
- Reader Inputs:** Wiegand
- Card Storage:** Up to 100,000 user credentials
- Event Storage:** Up to 50,000 events (first in, first out)
- UL Listing:** UL 294/ULC S319-05
- Dimensions:** 3-1/2" H x 10" W x 2-3/16" D

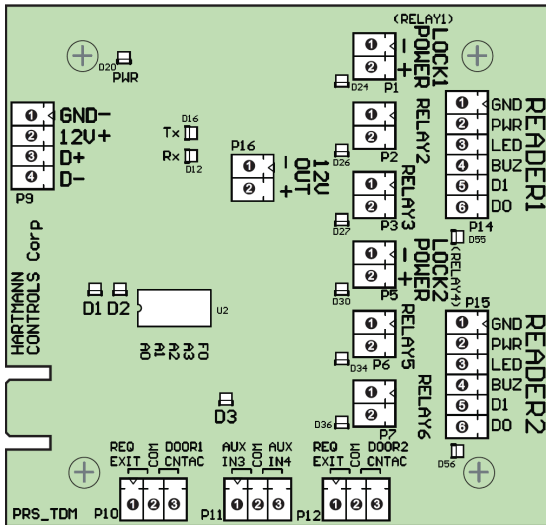


FEATURE CALL-OUT DEFINITIONS

- [P1] Door 1 lock power, 12V DC, 500mA
- [P2,P3] Door 1 dry contact relays
- [P5] Door 2 lock power, 12V DC, 500mA
- [P6,P7] Door 2 dry contact relays, dry*
- [P9] Power, communication data
- [P10-P12] Inputs
- [P14] Reader 1
- [P15] Reader 2
- [P16] 12V DC, 500mA

SPECIFICATIONS

- Power Source:** 12V DC (drawn from main board)
- Lock Power:** 12V DC 500mA
- Option Power:** 12V DC 500mA
- Contact Rating:** 30V DC @1A
- Dimensions:** 3-1/2" x 3-3/4"



FEATURE CALL-OUT DEFINITIONS

- [P1-P4] Inputs
- [P9] Power, communication data
- [P10] 12V DC out, 200mA
- [P11-P18] Dry contact relays, 30V DC, 500mA

SPECIFICATIONS

Power Source: 12V DC (drawn from main board)

Contact Rating: 30V DC @ 500mA

Dimensions: 3-9/16" x 3-9/16"

SPECIFICATIONS

Material: Steel

UL Listing: UL 294/ULC S319-05

Dimensions:

- Enclosure 19-3/8" H x 13-5/8" W x 3" D
- Knockouts 1-1/8" and 2" diameter