



Altronix Trove1 (AC-CA1) box not included

### DESCRIPTION

The ACS-2DR starter kit is a 2-8 door master door controller which includes a master door control board and a two-door expander board (AC-2DE). This kit fits into the AC-CA1 enclosure (sold separately), which includes a power supply.

Each AC-2DE has contacts and reader inputs to control two doors. Up to three AC-2DE door control boards can be added to the AC-CA1 enclosure, allowing it to control up to eight doors. For each door, the AC-2DE provides two dry contact outputs, one wet contact output, and three programmable contact inputs.

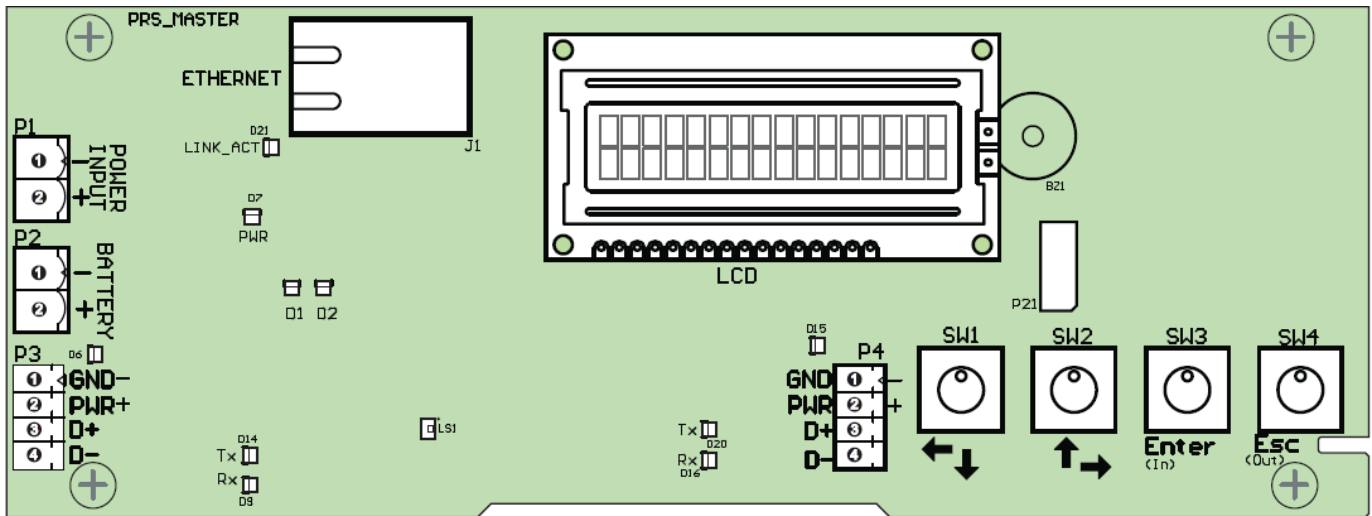
This kit can be used on its own or as part of a larger AC Series access control system with additional AC-2DM modules and ACS-2DR panels. The system is managed using the AC Nio management software, with partitioning options available.

### FEATURES

- Two Wiegand reader inputs (per AC-2DE)
- Integrated lock power for each door (12V DC, 500mA)
- Two solid state dry contact relays (per door)
- Three dry contact inputs (per door)
- Built-in diagnostic LCD
- Custom scripting and actions available
- Can support up to 8 doors with additional AC-2DE
- Short and over-voltage protection
- Dedicated port for battery backup
- TAA and NDAA Compliant

# ACS-2DR

## Master Door Control Board



### FEATURE CALL-OUT DEFINITIONS

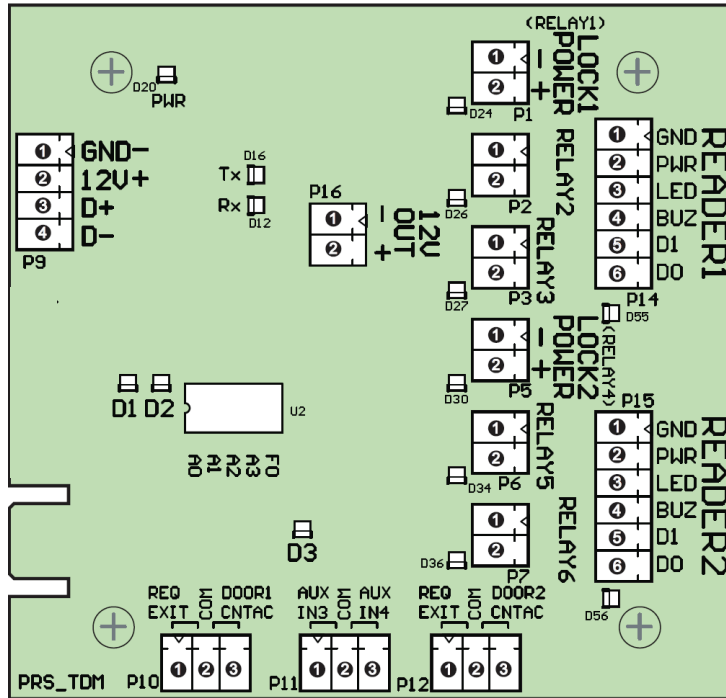
- [P1] DC 12V ~ 14V input
- [P2] DC 12V Backup battery
- [P3] Power and communication for the left strip
- [P4] Power and communication for the right strip
- [P21] Expansion
- [J1] Ethernet
- [LS1] Tamper sensor
- [BZ1] Embedded buzzer
- [LCD] LCD Display
- [P12] Input5, Common, Input6
- [P14] Reader1
- [P15] Reader2
- [P16] DC 12V out, max 500mA
- [SW1-4] Diagnostic navigation buttons

### SPECIFICATIONS

- Power Source:** 12V DC (AC-PS1250)
- NIC:** RJ45 Ethernet Port 10/100Mbps
- Board Communication:** RS485 (AC-STRIP)
- Protocols:** IPv4, IPv6, TCP, UDP, HTTPS
- Card Storage:** Up to 100,000 users.
- Event Storage:** Up to 50,000 events (first in, first out)
- UL/ULC:** UL 294/ULC S319-05

# AC-2DE

## Two-Door Expander Board



### FEATURE CALL-OUT DEFINITIONS

- [P1] Door 1 lock power, 12V DC, 500mA
- [P2,P3] Door 1 dry contact relays
- [P5] Door 2 lock power, 12V DC, 500mA
- [P6,P7] Door 2 dry contact relays
- [P9] Power, communication data
- [P10-P12] Inputs
- [P14] Reader 1
- [P15] Reader 2
- [P16] 12V DC, 500mA

### SPECIFICATIONS

- Power Source:** 12V DC (drawn from main board)
- Lock Power:** 12V DC 500mA
- Option Power:** 12V DC 500mA
- Contact Rating:** 30V DC at 1A
- Dimensions:** 3-1/2" x 3-3/4"