

DESCRIPTION

The AC-2DE is a two-door expander board. Up to three AC-2DE modules can be added to an ACS-2DR starter kit for a max capacity of eight doors.

The expander board has two card reader inputs, six digital inputs, four solid state dry contact relays, and two integrated lock power outputs. Communicating via RS485, this controller can be connected via AC-STRIP or standard RS485 wiring.

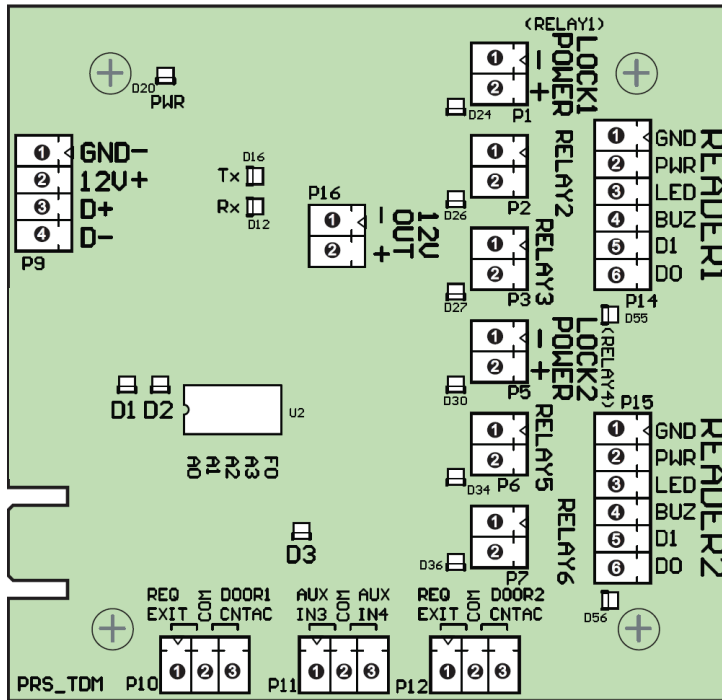
Advanced hardware functions include built-in ADA opener sequencing, key-switch level alarm integration, mantrap/interlock support, triple swipe actions, user specific actions, and local/remote lockdown.

Features

- Two card reader inputs (Wiegand)
- Four solid state dry contact relays
- Two solid state wet contact relays (12V DC, 500mA)
- Six digital inputs
- UL and ULC listed (UL 294/ULC S319-05)

AC-2DE

Two-Door Expander Board



FEATURE CALL-OUT DEFINITIONS

- [P1] Door 1 lock power, 12V DC, 500mA
- [P2,P3] Door 1 dry contact relays
- [P5] Door 2 lock power, 12V DC, 500mA
- [P6,P7] Door 2 dry contact relays, dry*
- [P9] Power, communication data
- [P10-P12] Inputs
- [P14] Reader 1
- [P15] Reader 2
- [P16] 12V DC, 500mA

SPECIFICATIONS

- Power Source:** 12V DC (drawn from main board)
- Lock Power:** 12V DC 500mA
- Option Power:** 12V DC 500mA
- Contact Rating:** 30V DC @1A
- Dimensions:** 3-1/2" x 3-3/4"