

7113

Electric Strike for Single or Double Leaf Timber or Steel Doors



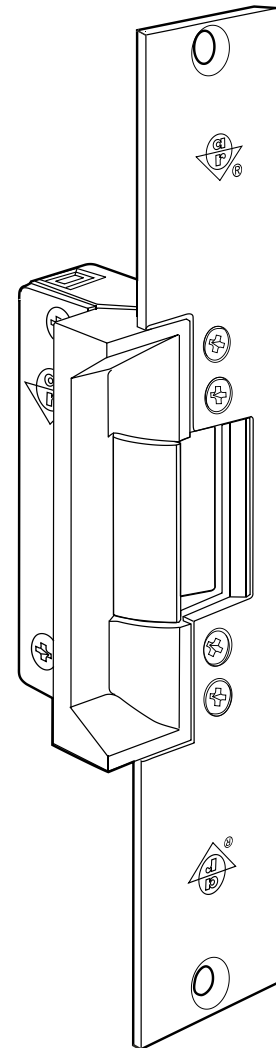
Function

Featuring a narrower faceplate than the 7110 Series, the 7113 is particularly suited to 44mm thick timber doors. The strike can be mounted in the frame or the inactive leaf of a pair of doors and a modified subcover is available as an option for applications using a T-bar on the door.

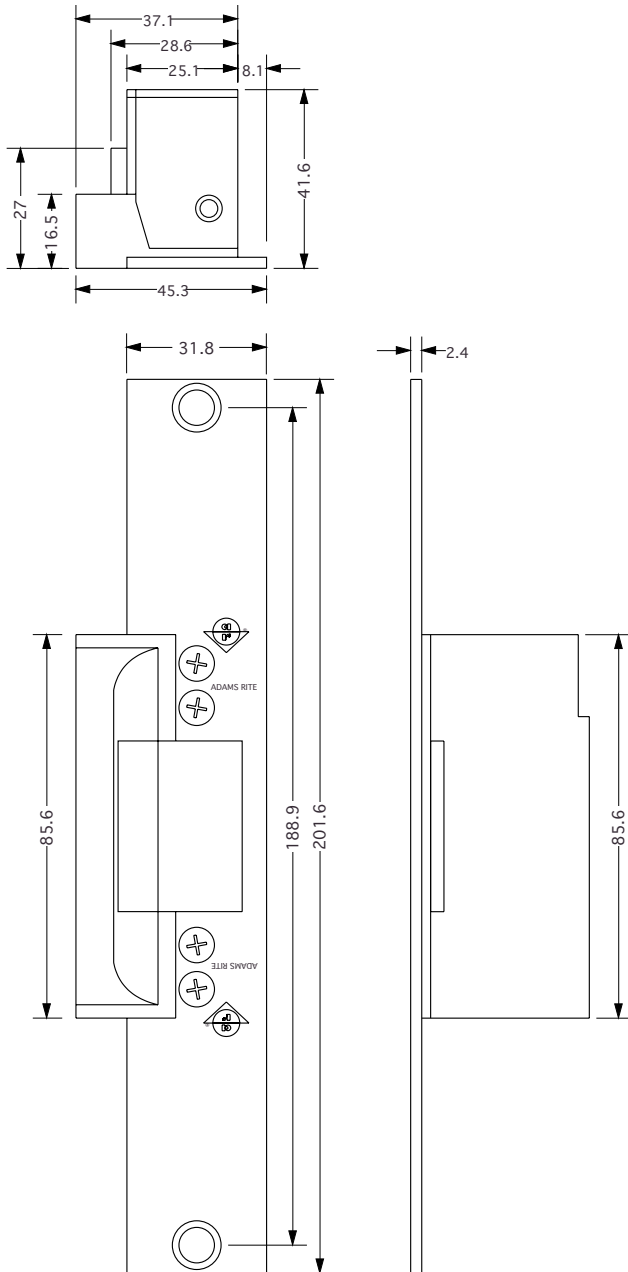
Note: For maximum security specify an MS® Deadlock in conjunction with the electric strike/latch combination.

Specifications

Current Draw:	12vAC=1.48A, 12vDC=0.332A, 24vAC=0.74A, 24vDC=0.19A (nominal). DC intermittent and continuous units are silent, AC intermittent units "buzz" on operation.
Voltage Tolerance:	±10%.
Powered By:	Internal solenoid.
Monitoring:	(Optional) Single: Latch only, Double: Latch & solenoid.
Duty:	Fail-safe or fail-secure (convertible without additional parts). DC power supply required for fail-safe operation.
Jaw Strength:	907kg (2000lbs).
Case:	85.6mm x 28.6mm x 41.6mm. Zinc aluminium alloy.
Mechanism:	Stainless steel internal blocking mechanism.
Strike Opening:	36.5mm x 15.9mm x 12.7mm. Stainless steel bolt retainer jaw.
Door Gap:	Minimum 3mm (1/8"), operational door gap 3-5mm.
Faceplate:	Steel. 201.6mm x 31.8mm. Flat, square cornered.
Finishes:	Satin chrome (other finishes may be available on request).
Subcover:	Basic subcover lip will suit a 44.45mm (1 3/4") thick door that closes flush with jamb edge. For extended bolt-on subcovers see ordering codes.
Standards:	ANSI/BHMA 156.5 Grade 1. UL Listed for burglary resistance.



Dimensions



Ordering Codes Matrix

7113 - 3 1 0 - 652 - 1

Model Number	7113 8" Narrow Faceplate
Voltage	3 12 volt 5 24 volt
Current and Duty	1 DC Continuous or intermittent 4 AC Intermittent (fail-secure only)
Features	0 Standard/Fail-Secure 5 Standard/Fail-Safe 7 Monitored/Fail-Safe 9 Monitored/Fail-Secure
Finish	652 Satin Chrome
Options	1 Single Monitoring (Latch only) 2 Double Monitoring (Latch and Solenoid)

Subcover Extension Codes (order separately)

Order Code	Dimension*	Order Code	Dimension*
91-0171-01	38.1mm (1.50")	91-0171-08	60.5mm (2.38")
91-0171-02	41.4mm (1.63")	91-0171-09	63.5mm (2.50")
91-0171-03	44.5mm (1.75")	91-0171-10	66.8mm (2.63")
91-0171-04	47.8mm (1.88")	91-0171-11	69.9mm (2.75")
91-0171-05	50.8mm (2.00")	91-0171-12	73.2mm (2.88")
91-0171-06	54.1mm (2.13")	91-0171-13	76.2mm (3.00")
91-0171-07	57.2mm (2.25")		

*Dimension from door centreline to jamb edge.

Related Hardware

RiteKey Keypad (p54) ~ Push-to-Exit Button (p56) ~ Power Supply Unit (p58) ~ 4720ANSI Deadlatch