

ABLOY® PE520

Motor EXIT lock case for solid doors that can be used in double leaf solutions



Product description

PE520 is a motor lock for exit doors and used in environments where convenience, higher security, high durability or door automation is needed. The integrated monitoring contacts from the lock can be connected to the different systems. Deadbolt is withdrawn inside the lockcase by motor and double action latch is released, when electrical control is on. Door is opened from outside by using door pull. Also possible to connect with door automatics for full hands-free operation. Inside handle opens lock mechanically (exit function), no need for electric control. When door closes, dead bolt is thrown out automatically, double action latch is blocked, and the lock case is secured in two points. The product is also suitable for fire doors. The product can be used in exit certified double leaf solutions. The product is EN179 and EN1125 certified when assembled according to instructions. These standards make the product suitable for door environments where passing through in one direction must always be possible.

Overview of Advantages

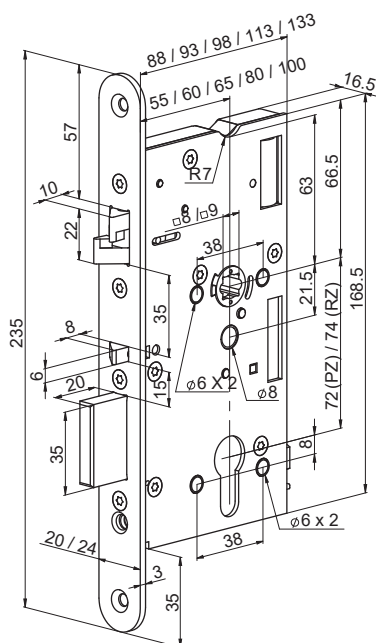
- Motorized bolt traction for push&pull and door automatics use
- Day/night mode
- Electric anti-tampering
- Mechanical automatic locking system
- Non handed, left / right
- Burglary-resistant due to dead bolt with 20 mm throw
- Exit function by inside handle
- Suitable for fire doors
- Mechanical override with cylinder
- Monitoring functions
 - Door status
 - Handle down
 - Bolt deadlocked
 - Bolt in
 - Key cylinder used
 - Sabotage loop

Scope of delivery

- Lock case
- Accessory set
- Operating manual

Ordered separately

- Strike plate (e.g. EA324)
- Cable EA218 (6 m) / EA219 (10 m)
- Lead cover EA280/281
- Handle/pull set (e.g. DH622)
- Cylinder (e.g. CY321T)



Technical data

Handing	Reversible
Exit function	Yes
Latch	Cross latch
Backsets	55 mm / 60 mm / 65 mm / 80 mm / 100 mm
Spindle size	8 mm / 9 mm
Dead bolt	Yes, 20 mm
Input operating voltage	12-24 VDC 12-18 VAC
Rated current consumption	12 VDC idle 80 mA, normal drive 450 mA, max. 1300 mA 24 VDC idle 40 mA, normal drive 220 mA, max. 600 mA
Relay capacity	Max. 0.8 A 30 V AC/DC resist. 20 W
EN14846:2008	3S5F - L611
EN179:2008	376(O/B*)1342AA
EN1125:2008	376B1321AA