



ABLOY® EL980

Solenoid lock EL980 for wooden and metal doors

Product description

Handle controlled solenoid lock EL980 is suitable for use in medium traffic doors. In EL980 outside handle is electrically controlled. Lock can always be opened by the inside handle. Mechanical opening by cylinder is always possible. Lock can be used in fire rated doors. EL980 cannot be used in doors with door automatics.

Application

EL980 can be electrically controlled by access control system or by a remote control system such as timer, keypad or push button. Handle controlled lock can be set to function as fail locked or as fail unlocked. In the fail locked setting, lock can be opened by handle when power is on and it can not be opened by handle when power is off. In the fail unlocked setting, the electrical function is reversed. EL980 is always automatically deadlocked when door is closed. In EL980 the outside handle is electrically controlled. Lock can always be opened by inside handle. In order to function correctly, the handle requires a split spindle. Mechanical opening by cylinder is always possible.

Return springs must be used on both side of a door.
In fire rated doors, bolt throw must set on 14mm position.

Overview of Advantages

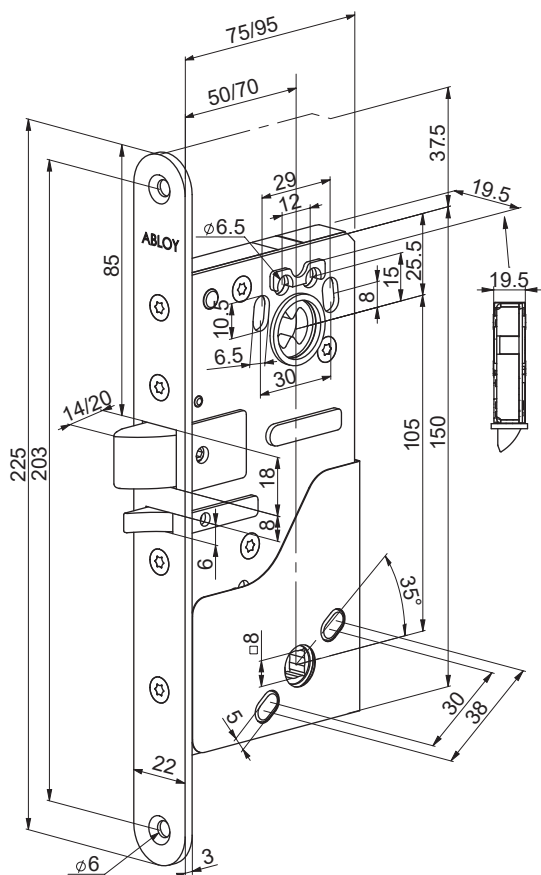
- Settable handing, left/right
- Mechanical override with key cylinder
- Settable latch out throw: 14 mm or 20 mm

Scope of delivery

- Lock case
- EA288 57/50mm

Ordered separately

- EA280 / EA281, Lead cover
- Key cylinder(s)
- Handle(s)



Technical data

Handing	Non handed, left/right
Backset	50 mm / 70 mm
Mechanical key override	Yes
Operating temperature	-25 C - +70 C
Input operating voltage	12 – 24 VDC (+/-15%)
Rated current consumption	12 VDC: Max. 550 mA Idle 240 mA 24 VDC: Max. 300 mA Idle 130 mA
Microswitch capacity (monitoring contacts)	Max. 0.4 A 30 VAC / VDC resist. Max. 10 W.
EN 14846:2008	0809-CPR-1157

This content is protected by Intellectual Property Rights Laws. The title to the content shall not pass to you, and instead shall remain with Abloy Oy or a third party holding the title. Abloy develops continuously the products and solutions offered. Therefore, the information contained in the document is subject to change without notice. ABLOY PROVIDES THIS CONTENT ON AN "AS IS" BASIS WITHOUT ANY WARRANTIES OF ANY KIND, EXPRESS, IMPLIED, OR STATUTORY."