

ABLOY® EL648

High security lock with a hook bolt



Product description

ABLOY EL648 is a high security lock with a hook bolt for exterior swing doors as an auxiliary lock or as a main lock integrated with sliding door operators. EL648 is mainly kept open at day time and deadlocked at night time. EL648 can be integrated with BMS and burglary system. Door and locking status can be monitored remotely from control room.

Application

Typical applications are e.g. commercial buildings, hospitals, schools, universities etc, especially there, where automated sliding doors are being used.

Overview of Advantages

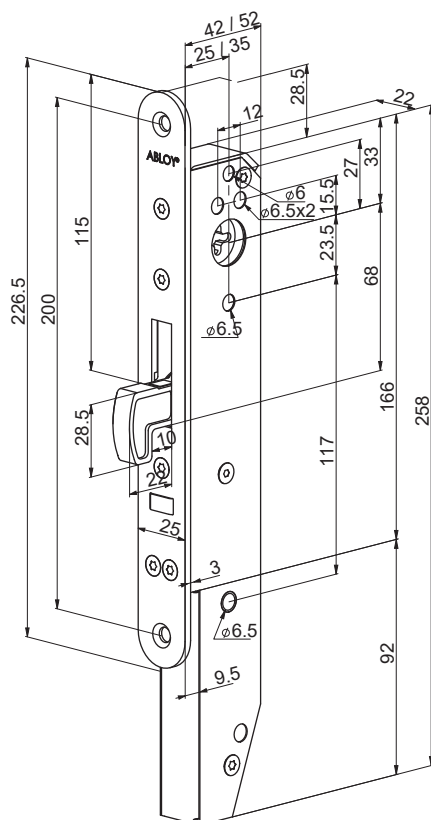
- Non handed, left/right
- Burglary resistant due to hook bolt and high security strike plate
- Strike plate provided with magnet contact monitor door status and control hook bolt function
- Mechanical override with key cylinder
- Option for thumb turn usage for temporary and reserve escape routes
- Suitable for fire-rated doors
- Monitoring functions
 - Door status
 - Hook bolt in
 - Hook bolt dead locked
 - Manual usage, key cylinder usage

Scope of delivery

- Lock case
- Control unit, EA460
- Strike plate, EA300

Ordered separately

- EA214, Cable 6m or EA224, 10m
- EA281, Lead cover
- Key cylinder(s)
 - CY065, double cylinder
 - CY063, single outside
 - CY064, single inside
 - CY069, single with thumb turn



Technical data

Handing	Non handed, left/right
Backset	25 or 35mm
Mechanical key override	Yes
Operating temperature	-25 C - +70 C
Input operating voltage	12 - 24 VDC (+/-15%) 12 - 18 AC (-10%/ +15%), RMS
Rated current consumption	12 VDC: Max. 700 mA Norm. 150 mA Idle 70 mA 24 VDC: Max. 350 mA Norm. 70 mA Idle 30 mA
Microswitch capacity (monitoring contacts)	max. 0.8 A 30 VDC/AC, resist. 20W
EN 14846:2008	3C8C-L511

This content is protected by Intellectual Property Rights Laws. The title to the content shall not pass to you, and instead shall remain with Abloy Oy or a third party holding the title. Abloy develops continuously the products and solutions offered. Therefore, the information contained in the document is subject to change without notice. ABLOY PROVIDES THIS CONTENT ON AN "AS IS" BASIS WITHOUT ANY WARRANTIES OF ANY KIND, EXPRESS, IMPLIED, OR STATUTORY."