

## ABLOY® EL580

### Solenoid lock EL580 for wooden and metal doors



#### Product description

Handle controlled solenoid lock EL580 is suitable for use in medium traffic doors. In EL580 outside handle is electrically controlled. Lock can always be opened by the inside handle or by panic bar. Mechanical opening by cylinder is always possible. Locks can be used both in exit doors and fire rated doors. EL580 cannot be used in doors with door automatics.

#### Application

EL580 can be electrically controlled by access control system or by a remote control system such as timer, keypad or push button. Handle controlled lock can be set to function as fail locked or as fail unlocked. In the fail locked setting, lock can be opened by handle when power is on and it can not be opened by handle when power is off. In the fail unlocked setting, the electrical function is reversed. EL580 is always automatically deadlocked when door is closed. In EL580 the outside handle is electrically controlled. Lock can always be opened by inside handle, or by panic bar. In order to function correctly, the handle requires a split spindle. Mechanical opening by cylinder is always possible. EL580 cannot be used in doors with door automatics.

Return springs must be used on both side of a door.  
In fire rated doors, bolt throw must set on 14mm position.

#### Overview of Advantages

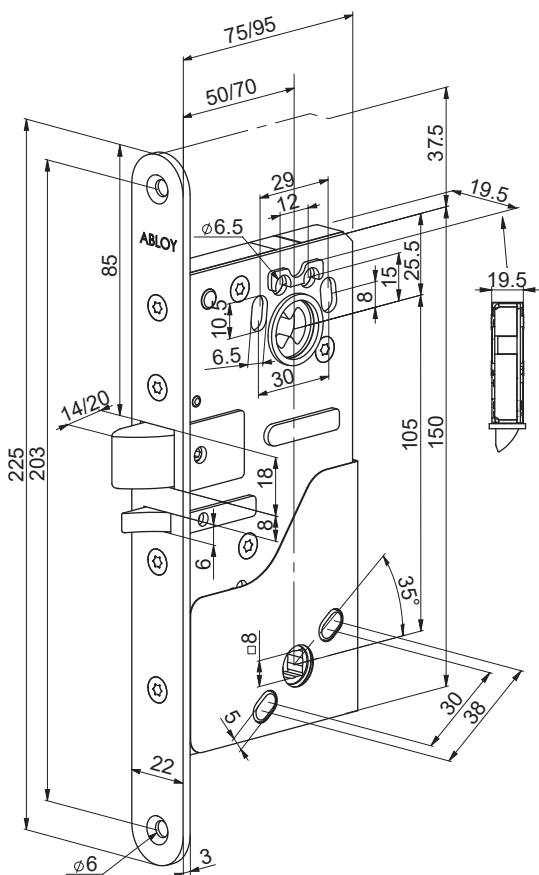
- Settable handing, left/right
- Mechanical override with key cylinder
- Settable latch out throw: 14 mm or 20 mm
- Monitoring functions:
  - Bolt deadlocked
  - Handle down, REX

#### Scope of delivery

- Lock case
- EA288 57/50mm

#### Ordered separately

- EA210 (6 m), EA220 (10 m) 18 x 0.14 mm2
- EA280 / EA281, Lead cover
- Key cylinder(s)
- Handle(s)



#### Technical data

Handing	Non handed, left/right
Backset	50 mm / 70 mm
Mechanical key override	Yes
Operating temperature	-25 C - +70 C
Input operating voltage	12 – 24 VDC (+/-15%)
Rated current consumption	12 VDC: Max. 550 mA Idle 240 mA 24 VDC: Max. 300 mA Idle 130 mA
Microswitch capacity (monitoring contacts)	Max. 0.4 A 30 VAC / VDC resist. Max. 10 W.
Indications:	- deadlock status of latch bolt - indication of handle operation
EN179:2008	0809-CPR-1053
EN 1125:2008	0809-CPR-1054
EN 14846:2008	0809-CPR-1157

This content is protected by Intellectual Property Rights Laws. The title to the content shall not pass to you, and instead shall remain with Abloy Oy or a third party holding the title. Abloy develops continuously the products and solutions offered. Therefore, the information contained in the document is subject to change without notice. ABLOY PROVIDES THIS CONTENT ON AN "AS IS" BASIS WITHOUT ANY WARRANTIES OF ANY KIND, EXPRESS, IMPLIED, OR STATUTORY."