

ABLOY® EL518

DIN standard motor lock for wooden and metal doors



Product description

EL518 is a motor lock used in wooden and metal doors. Motor locks are best suited on high traffic doors. The locks can be electrically controlled by access control systems or by a remote control system such as timer, keypad or push button.

EL518 can be used on EXIT doors (EN179/EN1125).

Deadbolt is withdrawn inside the lockcase by motor and double action latch is released, when electrical control is on.

Door is opened from outside by using door pull.

Inside handle opens lock mechanically (exit function), no need for electric control.

When door closes, dead bolt is thrown out automatically, double action latch is blocked and the lock case is secured in two points.

Overview of Advantages

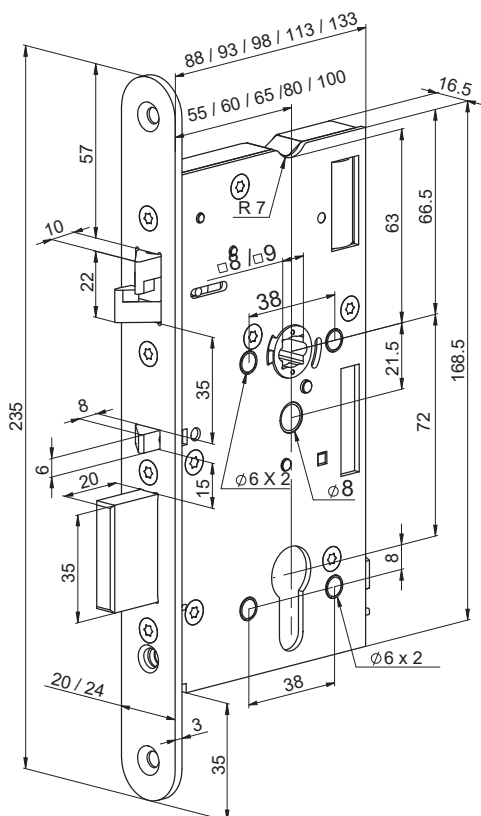
- Motorized bolt traction for push&pull
- Mechanical automatic deadlocking system
- Non handed, left / right
- Burglary-resistant due to dead bolt with 20 mm throw
- EXIT function by inside handle
- Mechanical override with key cylinder
- Monitoring functions
 - Bolt deadlocked

Scope of delivery

- 1 pcs lock case
- Operating manual

Ordered separately

- Strike plate (e.g. EA324)
- Cable EA211 (6m) / EA221 (10m)
- Lead cover EA280/281
- Handle/pull set (e.g. DH006/242/115 PZBL)
- Cylinder (e.g. CY321T)



Technical data

| | |
|--------------------------------------|---|
| Handing | Non-handed, left/right |
| Exit function | Yes |
| Mechanical cylinder override | Yes |
| Latch | Double action latch |
| Dead bolt | Yes, 20 mm |
| Input operating voltage | 12-24 VDC |
| Rated current consumption | 12 VDC idle 25mA, normal drive 125mA, max. 700mA 24 VDC idle 20mA, normal drive 80mA, max. 450mA |
| Relay capacity (monitoring contacts) | Max. 0.8 A 30 V AC/DC resist. 20 W |
| Suitable for fire doors | No |
| EN14846:2008 | 3S50-L611 |
| EN179:2008 | 37601342AB |
| EN1125:2008 | 37601321AB |

This content is protected by Intellectual Property Rights Laws. The title to the content shall not pass to you, and instead shall remain with Abloy Oy or a third party holding the title. Abloy develops continuously the products and solutions offered. Therefore, the information contained in the document is subject to change without notice. ABLOY PROVIDES THIS CONTENT ON AN "AS IS" BASIS WITHOUT ANY WARRANTIES OF ANY KIND, EXPRESS, IMPLIED, OR STATUTORY."