

## ABLOY® EL410

### For narrow stile doors – ANSI range



#### Product description

ABLOY EL410 is a solenoid lock with ANSI dimensions used in wooden or metal doors.

The lock is especially recommended to be used in interior and exterior doors of commercial premises, apartment buildings, etc. The lock is well suited for use with door automatics. The lock can be controlled by a variety of impulse control devices, i.e. card reader, key pad, timer or push button.

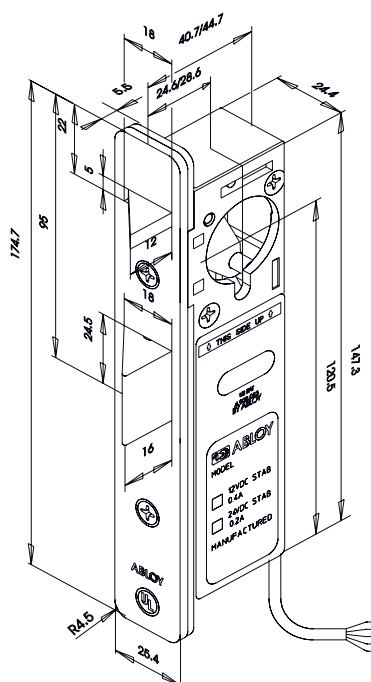
ABLOY EL410 is fail locked type lock. The door can be opened by pushing or pulling when electric control is switched on. When electric control is switched off, the lock can be operated by key from outside and by handle from inside.

#### Overview of Advantages

- Mechanical automatic locking system
- Handed, left / right
- fail locked
- Exit function by inside handle
- Mechanical override with cylinder from outside
- Monitoring functions
  - Deadlocking status of bolt

#### Scope of delivery

- 1 pc. lock case and strike plate
- Operating manual
- Accessory package



#### Technical data

Handing	Left/Right
Exit function	With handle
Mechanical cylinder override	Yes
Suitable for fire doors	No
Monitoring	Deadlocking status of bolt
Temperature range	-35 °C...+66 °C (-31 F.. +151 F)
Operating voltage	12 VDC ±10 % 24 VDC ±15 %
Max. current	0.4 A (12 V, +20 °C) 0.2 A (24 V, +20 °C)
Bolt throw	16 mm (5/8")
Backset	24,6 mm (31/32") 28,6 mm (11/8")
UL File numbers	CVXY.BP8853
Weight	0.9kg

This content is protected by Intellectual Property Rights Laws. The title to the content shall not pass to you, and instead shall remain with Abloy Oy or a third party holding the title. Abloy develops continuously the products and solutions offered. Therefore, the information contained in the document is subject to change without notice. ABLOY PROVIDES THIS CONTENT ON AN "AS IS" BASIS WITHOUT ANY WARRANTIES OF ANY KIND, EXPRESS, IMPLIED, OR STATUTORY."