

ABLOY® DC840

Concealed non-handed cam action door closer and sliding arm DC892/DC893



Product description

Thanks to the cam construction DC840 is extremely light to open. Suitable for 40 mm doors, internal and fire doors. Can be used with ABLOY FD480 series fire door closing systems.

Overview of Advantages

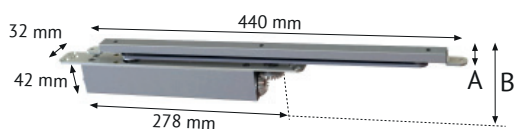
- CE certified with sliding arm
- Adjustable closing force size EN 1-4 with sliding arm according EN1154
- Operating temperature range: -15°C... +45°C
- Separate adjusting valves for closing and latching speed
- Anodized aluminium door closer body
- Maximum door weight 80 kg and door width 1100 mm with sliding arm installation
- Also available with extended +4 and +8 mm spindle upon request

Sliding arm DC892

- Can be used with DC156 hold open device or DC157 opening damper

Sliding arm DC893

- Can be used with DC152 hold open device and/or DC153 opening damper



A DC892 = 12 mm
DC893 = 21.5 mm

B With DC892 66 / 70 / 74 mm
With DC893 75.5 / 79.5 / 83.5 mm

Technical data

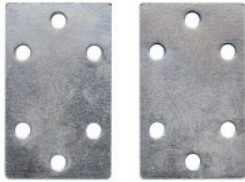
Variable adjustable closing force	EN 1-4
Door width up to	1100 mm
Fire and smoke protection	Yes (Only door installation)
Door swing directions	Left/right handed
Mounting method	Frame or door installation
Closing speed	Variable between 120°-10°
Latching speed	Variable between 15°-0°
Opening angle	ca. 120°
Door closer weight	1,14 kg
Certified in compliance with	0432-CPR-00008-09
CE marking for building products	Yes

ABLOY® DC840

Concealed non-handed cam action door closer and sliding arm DC892/DC893

Accessories

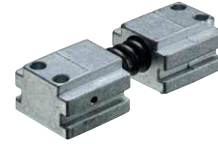
Fixing plate 812775



Hold-open device DC152 for DC893



Opening damper DC153 for DC893



Fire seal 9312585



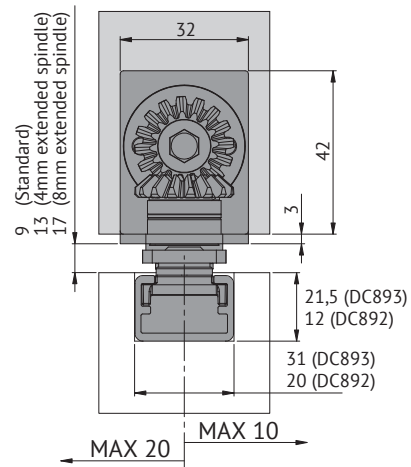
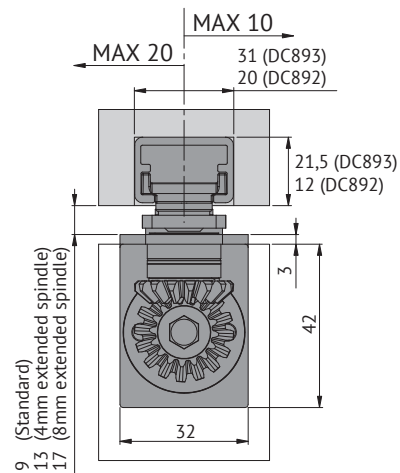
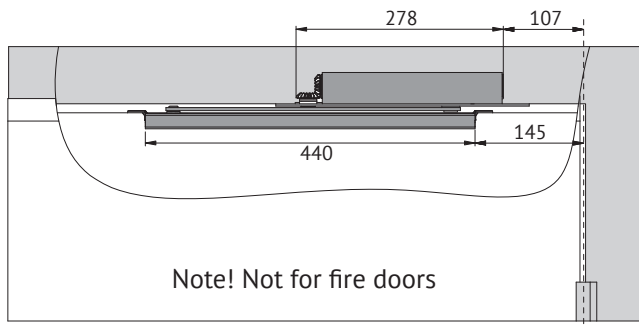
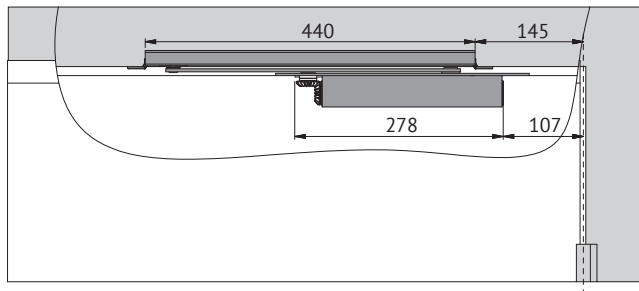
Hold-open device DC156 for DC892



Opening damper DC157 for DC892



Installation



This content is protected by Intellectual Property Rights Laws. The title to the content shall not pass to you, and instead shall remain with Abloy Oy or a third party holding the title. Abloy develops continuously the products and solutions offered. Therefore, the information contained in the document is subject to change without notice. ABLOY PROVIDES THIS CONTENT ON AN "AS IS" BASIS WITHOUT ANY WARRANTIES OF ANY KIND, EXPRESS, IMPLIED, OR STATUTORY."